

# Backboard Edge Guard Owner's Manual

1-800-Spalding



**Adult Assembly Required.**

This manual, accompanied by sales receipt, should be saved and kept on hand as a convenient reference, as it contains important information about your model.

## SAFETY INSTRUCTIONS

**FAILURE TO FOLLOW THESE SAFETY INSTRUCTIONS MAY RESULT IN SERIOUS INJURY, PROPERTY DAMAGE AND WILL VOID WARRANTY.**

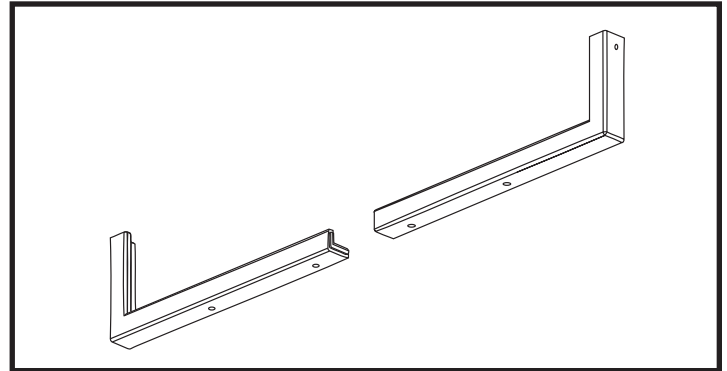
*Owner must ensure that all players know and follow these rules for safe operation of the system.*

To ensure safety, do not attempt to assemble this system without following the instructions carefully. Proper and complete assembly, use and supervision is essential for proper operation and to reduce the risk of accident or injury. A high probability of serious injury exists if this system is not installed, maintained, and operated properly. Check entire box and inside all packing material for parts and/or additional instructional material. Before beginning assembly, read the instructions and identify parts using the hardware identifier and parts list in this document.

- If using a ladder during assembly, use extreme caution.
- Two (2) people are recommended for this operation.
- Climate, corrosion, excessive use, or misuse could result in system failure.
- If technical assistance is required, contact Huffy Sports.
- This equipment is intended for home recreational use only and NOT excessive competitive play.
- Serious injury could occur if teeth/face come in contact with backboard, net, or rim.

*Most injuries are caused by misuse and/or not following instructions. Use caution when using this system.*

For more information on assembly, placement, proper use and maintenance, visit The American Basketball Council website at <http://www.smarthoops.com>.



## REQUIRED TOOLS AND MATERIALS:



• Two (2) Capable Adults



• Tape Measure



• Safety Glasses



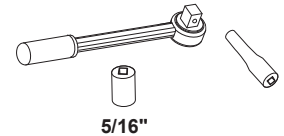
• Step Ladder - 8ft. (2.4 m)



• Portable Drill with Torque Adjustment

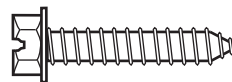
• (1 each) Socket Wrench and Sockets (Deep-Well Sockets are Recommended).

• Extension is Recommended.



## PARTS LIST AND HARDWARE IDENTIFIER

| <u>Item</u> | <u>Qty.</u> | <u>Part No.</u> | <u>Description</u>                |
|-------------|-------------|-----------------|-----------------------------------|
| 1           | 1           |                 | Board Pad, Left Section           |
| 2           | 1           |                 | Board Pad, Right Section          |
| 3           | 8           | 201538          | Self-Drilling, Self-Tapping Screw |
| 4           | 8           | 202219          | Screw Protectors                  |



Item #3 (8)



Item #4 (8)



Questions or Missing Parts?

**DON'T go back to store!**

Call TOLL-FREE Customer Service Number listed on the front page!

Toll-Free Customer Service Number for U.S.: 1-800-558-5234,

For Canada: 1-800-284-8339,

For Europe: 00 800 555 85234 (Sweden: 009 555 85234),

For Australia: 1300 367 582

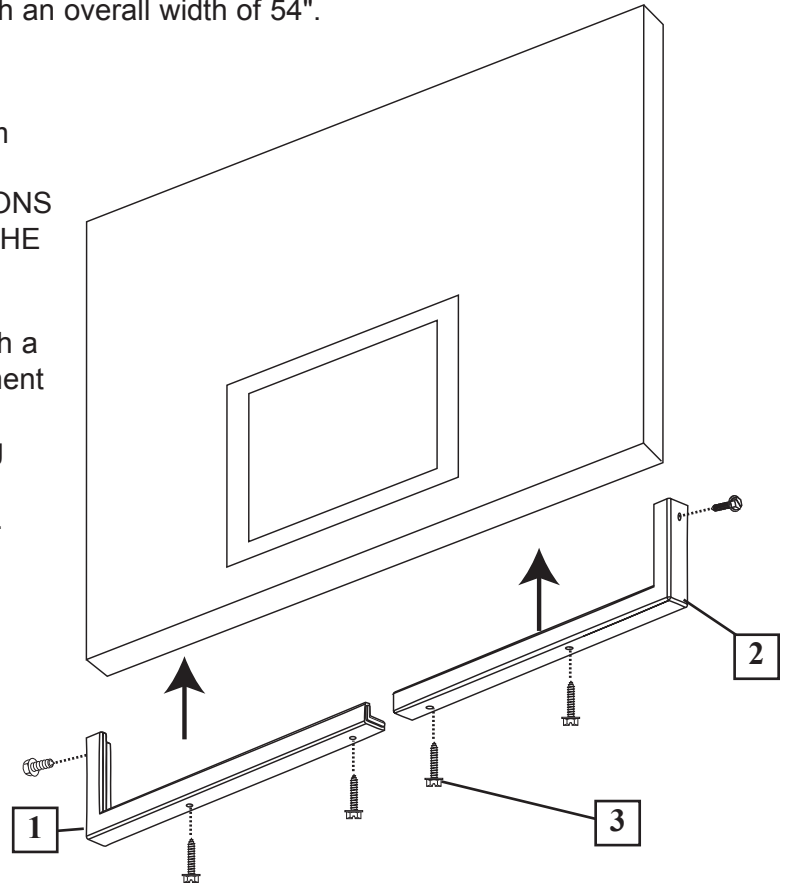
Internet Address: [www.spalding.com](http://www.spalding.com) [www.spalding.com.au](http://www.spalding.com.au)

## BOARD PAD - INSTALLATION

The enclosed Molded Edge Guards interlock together to form bottom and side protection for one backboard with an overall width of 54".

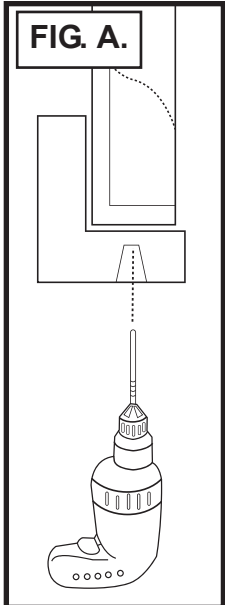
**1.** Check the fit of the edge guards and reposition slightly if necessary. It may be necessary to trim away some material to fit it around the goal or supports. **NOTE: CHECK FASTENER LOCATIONS TO MAKE SURE THEY WILL NOT DAMAGE THE BACKBOARD GLASS.**

**2.** Using a 5/16 socket wrench or portable drill with a 5/16 socket attachment with the torque adjustment at the lowest setting, fasten the edge guards in place with the provided self-drilling, self-tapping screws (3). **NOTE: DO NOT OVER TIGHTEN SCREWS, IT MAY STRIP OUT THE SCREWS.**



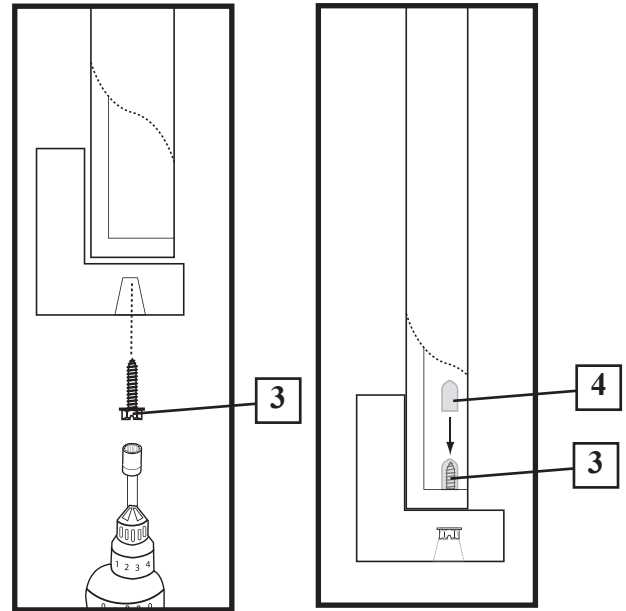
**3.** Using a portable drill (with adjustable torque) and a 5/16 socket and extension drill through the backboard frame and secure the pads in place with self-tapping screws provided (3).

It may be necessary to use an 11/16 drill bit to pre-drill on some backboards (FIG. A).



A center punch is recommended to mark hole locations prior to drilling to keep drill bit from wandering.

If the ends of the screws are exposed after installation, place the screw protectors (4) over the ends to prevent injury.



**4.** Collect any metal shavings that may have fallen onto the floor or driveway to prevent injury.