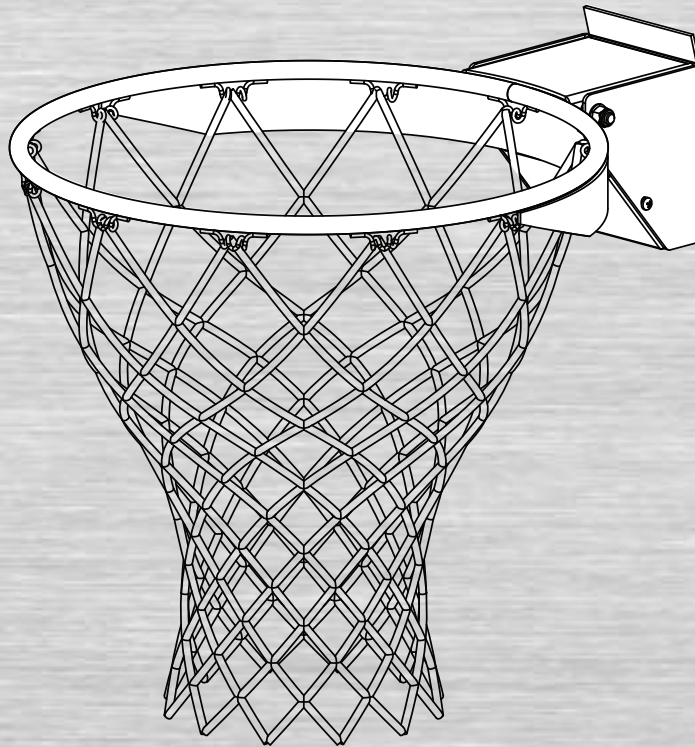


Rim Owners Manual



**Write Model Number
From Box Here:**



! WARNING!

**READ AND UNDERSTAND
OPERATOR'S MANUAL
BEFORE USING THIS UNIT.**

**FAILURE TO FOLLOW
OPERATING INSTRUCTIONS
COULD RESULT IN INJURY
OR DAMAGE TO PROPERTY.**

Toll-Free Customer Service Number for U.S: **1-800-558-5234**, For Canada: **1-800-284-8339**,

For Europe: **00 800 555 85234** (Sweden: **009 555 85234**), For Australia: **1300 367 582**

Internet Address: **www.spalding.com www.spalding.com.au**

REQUIRED TOOLS AND MATERIALS:



• (2) Stepladders 8 ft. (2.4 m)



• (1) Phillips-Head Screwdriver



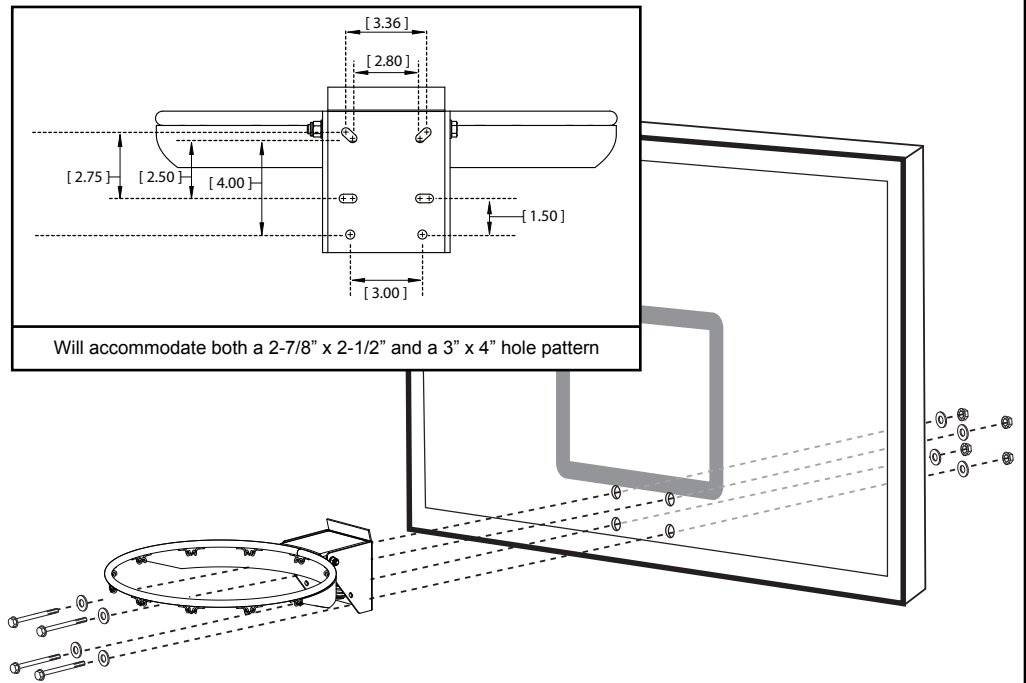
• (2 each) 1/2" Wrenches and/or Socket Wrenches and Sockets



(Deep-Well Sockets are Recommended).



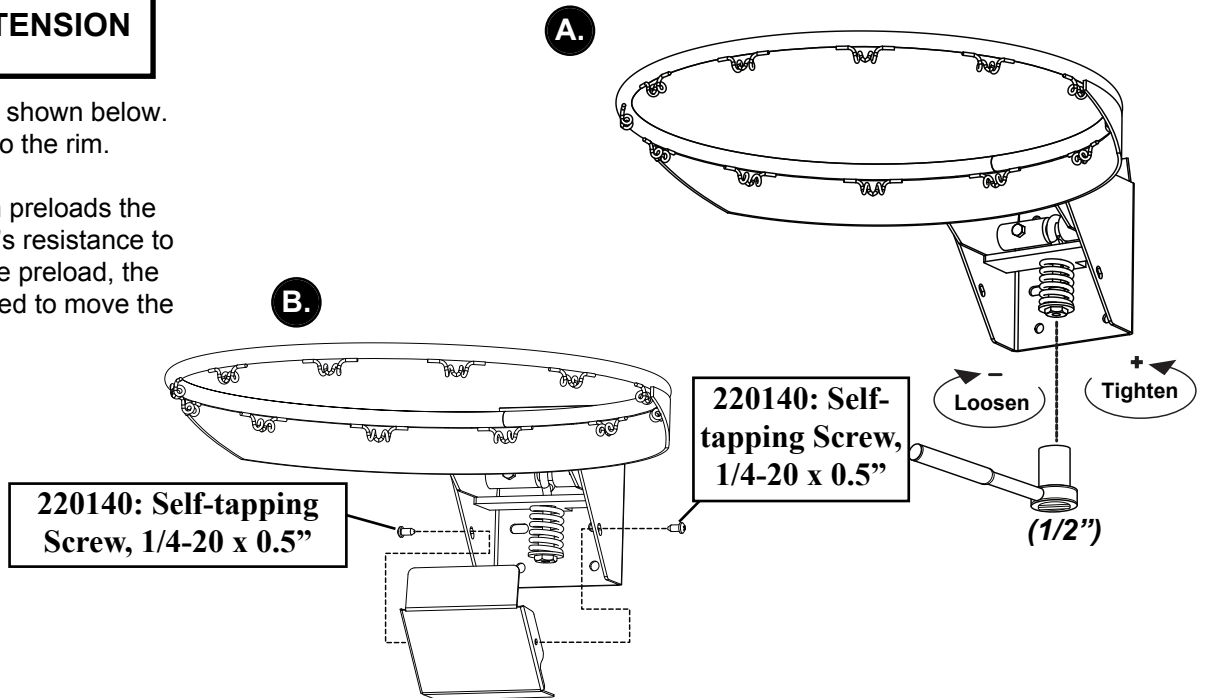
1/2"



TO ADJUST RIM TENSION

- A. Make adjustments as shown below.
- B. Attach the rim cover to the rim.

Tightening the nut which preloads the spring increases the rim's resistance to movement - the more the preload, the more force will be required to move the rim downward.



INSTALL NET

