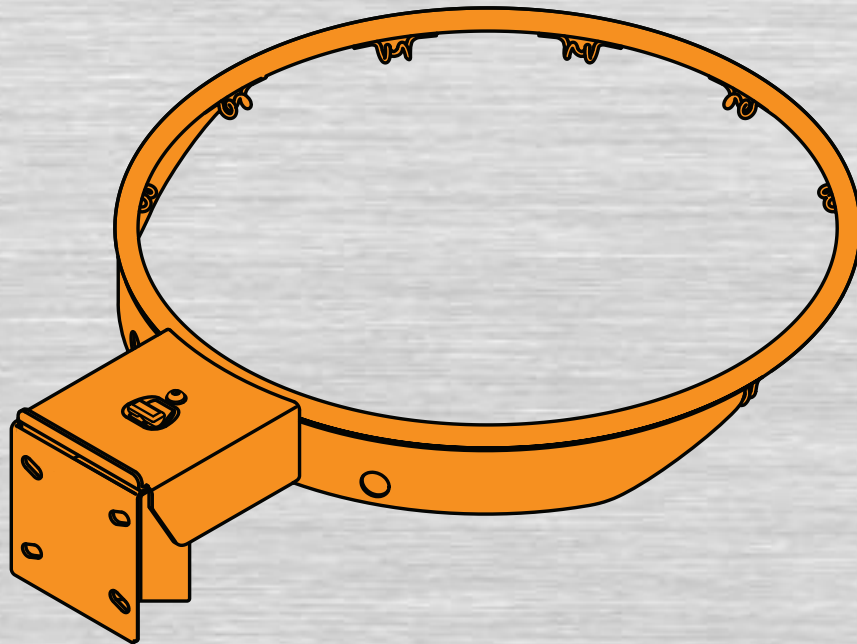


# Rim Owners Manual



*Adult Assembly Required.*

This manual, accompanied by sales receipt, should be saved and kept on hand as a convenient reference, as it contains important information about your model.

**Model Number:**



**WARNING!**

READ AND UNDERSTAND  
OPERATOR'S MANUAL  
BEFORE USING THIS UNIT.

FAILURE TO FOLLOW  
OPERATING INSTRUCTIONS  
COULD RESULT IN INJURY  
OR DAMAGE TO PROPERTY.

Toll-Free Customer Service Number for U.S: 1-800-558-5234, For Canada: 1-800-284-8339,

For Europe: 00 800 555 85234 (Sweden: 009 555 85234), For Australia: 1 300 367 582

Internet Address: [www.spalding.com](http://www.spalding.com) [www.spalding.com.au](http://www.spalding.com.au)

**REQUIRED TOOLS AND MATERIALS:**



• (2) Stepladders 8 ft. (2.4 m)



• (1) Phillips-Head Screwdriver

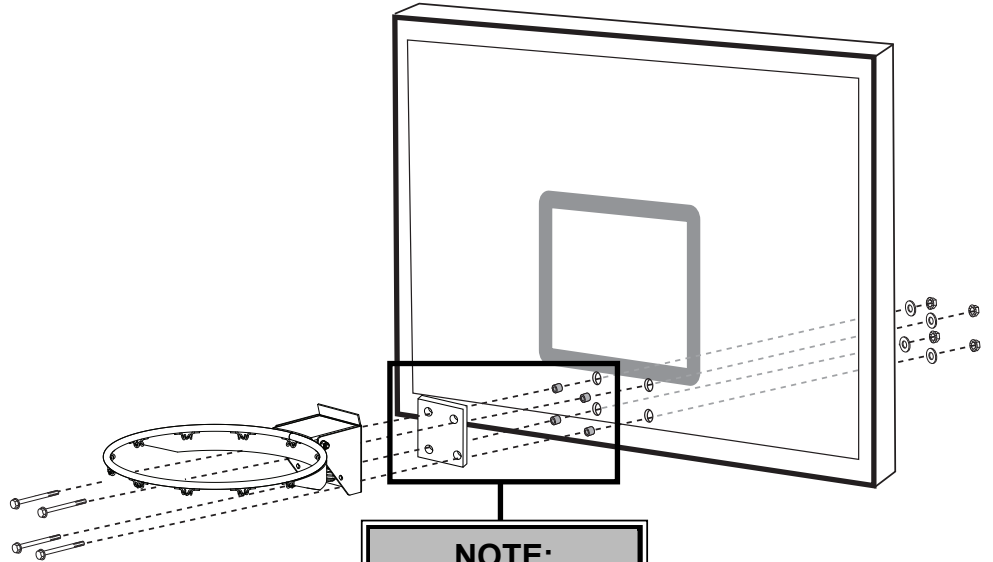


9/16"



9/16"

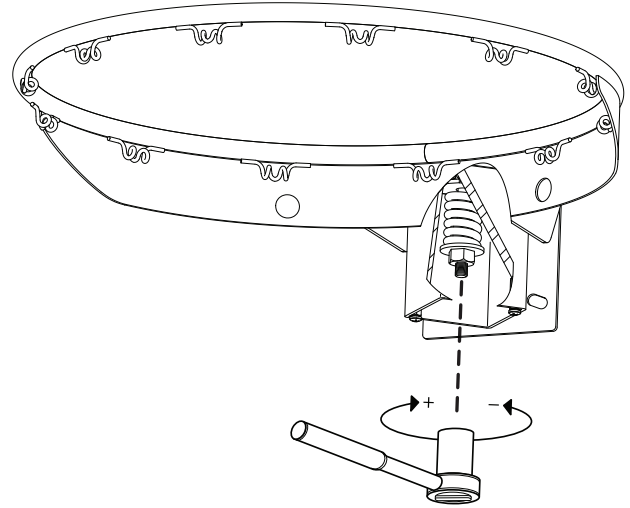
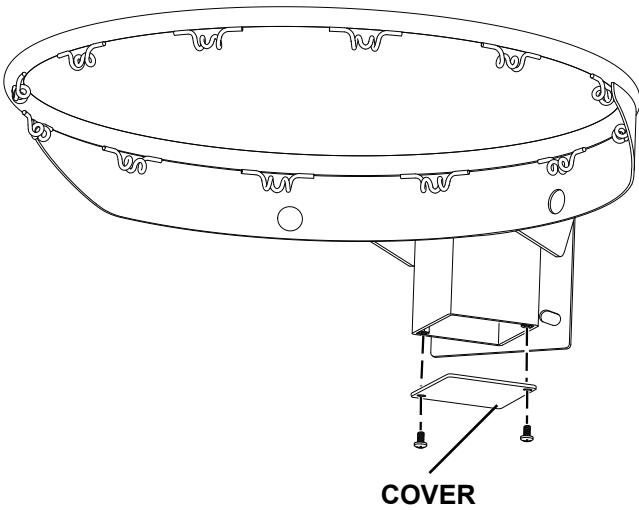
• (2 each) 9/16" Wrenches and/or Socket Wrenches/Socket (Deep-Well Sockets are Recommended).



**NOTE:**  
Foam and spacers for Glass Backboards.

**TO ADJUST TENSION**

Remove the rim cover from the rim and make adjustments as shown.



**INSTALL NET**

