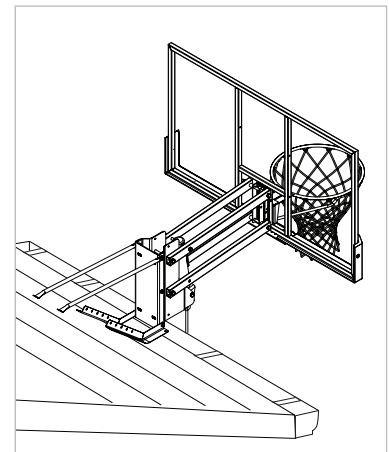
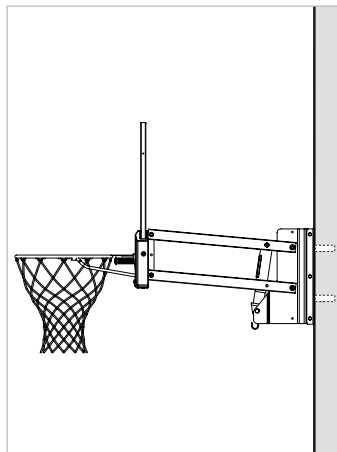
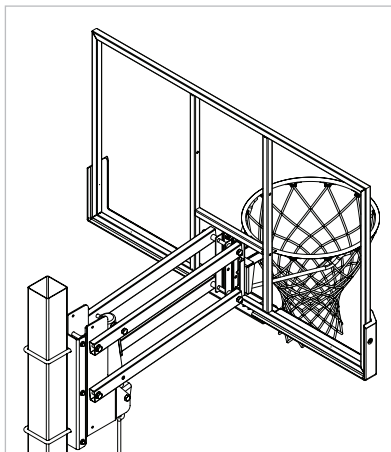


Model Number:  
(found on product box)



# UNIVERSAL ELEVATOR MOUNT

## Owner's Manual



### Toll-Free Customer Service Number

U.S.: 1-800-558-5234

Canada: 1-800-284-8339

Europe: +353 51 379777

Australia: 1300 367 582

[www.spalding.com](http://www.spalding.com)

### **WARNING**



READ AND UNDERSTAND THE OPERATOR'S MANUAL BEFORE USING THIS UNIT. FAILURE TO FOLLOW THE OPERATING INSTRUCTIONS COULD RESULT IN INJURY OR DAMAGE TO PROPERTY.

# Contents

Contents .....2  
 Before You Begin.....2  
 Contact.....2  
 Warranty.....3  
 Safety Information.....3  
 Test-Fit Close Tolerance Bolts.....4  
 Package Contents.....4

Tools & Materials for Assembly.....7  
 Assemble the Elevator Mount.....8  
 Assemble the Elevator Structure/Mechanism.....15  
 Backboard Mounting.....19  
 Operation.....21  
 Parts List.....22



**Questions or Missing Parts?**

**DON'T go back to store!**

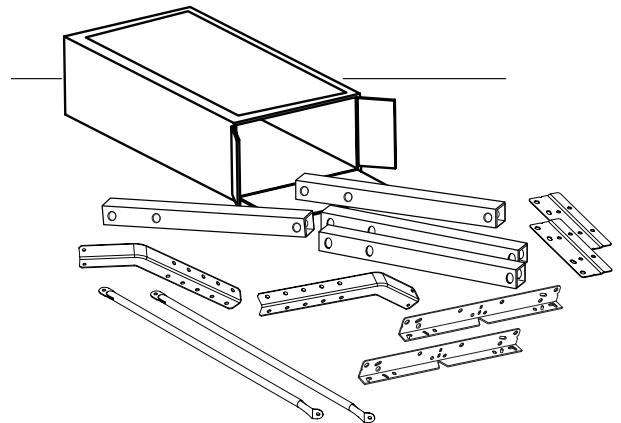
**Call TOLL-FREE Customer Service  
Number listed on the front page!**



## Before You Begin

READ AND UNDERSTAND THE OPERATOR'S MANUAL BEFORE USING THIS UNIT.

- Remove **ALL** contents from boxes.
- Be sure to check **INSIDE** pole sections; hardware and additional parts are packed inside.
- This manual, accompanied by a sales receipt, should be saved and kept on hand as a convenient reference, as it contains important information about your model.



**⚠ WARNING ⚠**

FAILURE TO FOLLOW OPERATING INSTRUCTIONS COULD RESULT IN INJURY OR PROPERTY DAMAGE.

## Contact

Questions or missing parts? Do **NOT** go back to the store!

<b>Email:</b>	warrantyservice@custserv.fotlinc.com
<b>Customer Service Toll-Free Number:</b>	1-800-558-5234
<b>Mailing Address:</b>	Spalding PO Box 90015 Bowling Green, KY 42102

# Warranty

For the very latest Basketball System Warranty information, please visit [www.Spalding.com](http://www.Spalding.com) or call Spalding Customer Service at **1-800-558-5234**.

## Safety Information

### WARNING

**FAILURE TO FOLLOW THESE SAFETY INSTRUCTIONS MAY RESULT IN SERIOUS INJURY OR PROPERTY DAMAGE AND WILL VOID THE WARRANTY.**

Owner must ensure all players know and follow these rules for safe operation of the system.

To ensure safety, do not attempt to assemble this system without following the instructions carefully. Check the entire box and inside all of the packing material for parts and/or additional instruction material. **Before beginning assembly, read the instructions and identify parts using the hardware identifier and parts list in this document.** Proper and complete assembly, use, and supervision are essential for proper operation and to reduce the risk of accident or injury. A high probability of serious injury exists if this system is not installed, maintained, and operated properly.

- If using a ladder during assembly, use extreme caution.
- Check the base regularly for leakage. Slow leaks could cause the system to tip over unexpectedly.
- Seat the pole sections properly (if applicable). Failure to do so could allow the pole sections to separate during play and/or during transport of the system.
- Climate, corrosion, or misuse could result in system failure.
- If technical assistance is required, contact Customer Service.
- Minimum operational height is 6'-6" (1.98 m) to the bottom of backboard.

Most injuries are caused by misuse and/or not following instructions.

Use caution when using this unit.

### NOTICE

- **Adult assembly required.**
- Dispose of **ALL** packaging materials promptly.
- As with all products, periodically inspect for loose, small parts.
- Assembled unit **MUST** be filled with sand or water at **ALL** times.
- **ALL** basketball systems, including those used for DISPLAYS, **MUST** be assembled and installed according to instructions.
- Failure to follow instructions could result in **SERIOUS INJURY**.
- It is **NOT** acceptable to devise a makeshift support system.

### NOTE

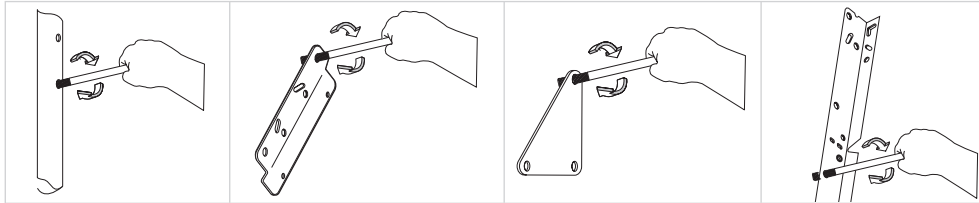
Mount, pole, and backboard style will vary.

# Test-Fit Close Tolerance Bolts

To ensure optimal playability of the backboard system, a close tolerance fit between the elevator components and hardware is required. Test-fit large bolts into large holes of elevator tubes, backboard brackets, and triangle plates. Carefully rock them in a circular motion to remove any excess paint from holes, if necessary.

## NOTE

Not all items pictured are included with every model.

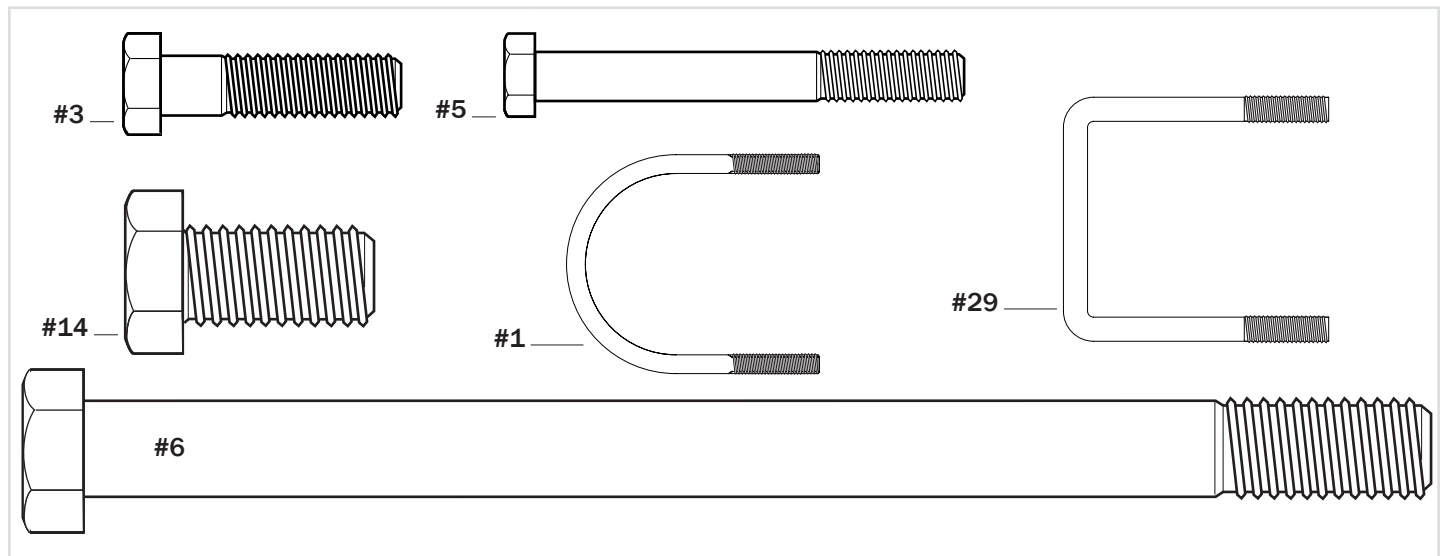


## Package Contents

Check the contents of each kit and other parts to ensure that all components are present. Keep the kit hardware in the labeled bag as they will be used in different assembly steps.

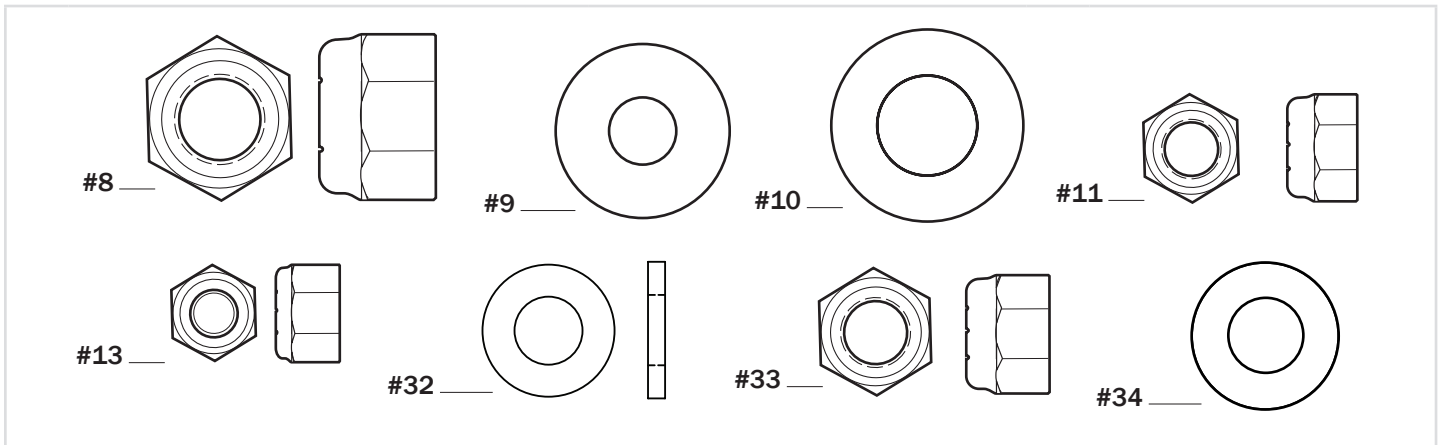
See "Parts List" on page 22 for a complete list of replacement part numbers.

### BOLTS AND SCREWS



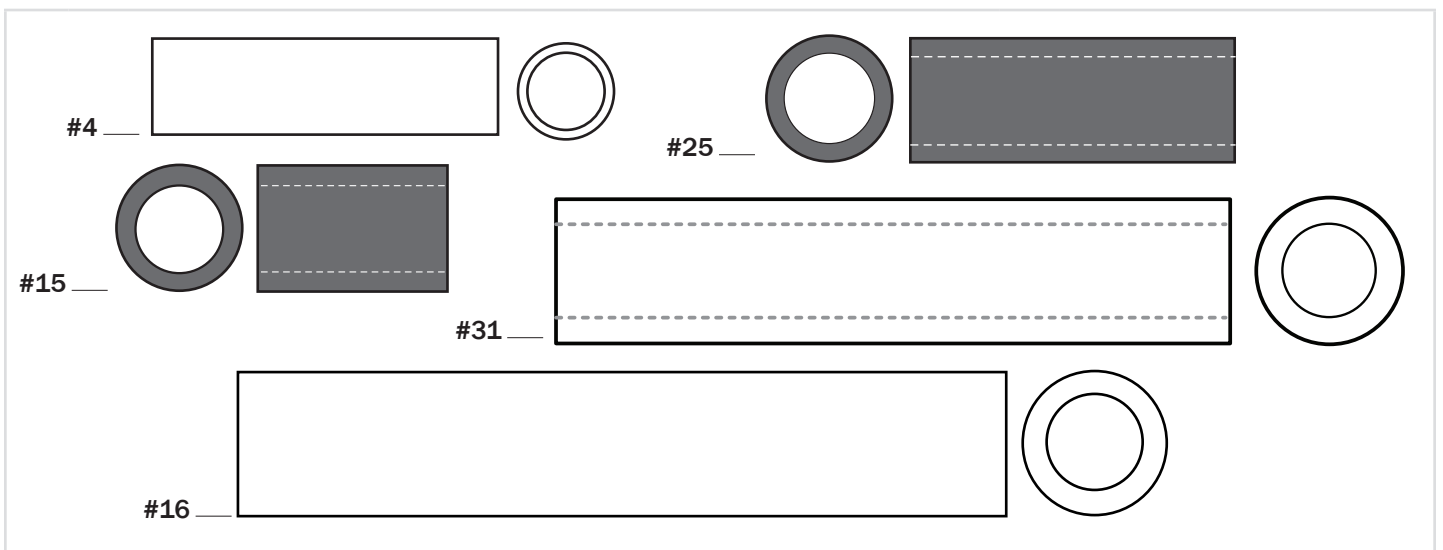
<b>1</b>	U-Bolt, Round 3/8-16 x 4.68 (x2)	<b>3</b>	Bolt, Hex Head, 5/16-18 x 1-1/4" Long (x6)	<b>5</b>	Bolt, Hex Head, 1/4-20 x 2-1/4" Long (x1)
<b>6</b>	Bolt, Hex Head, 1/2-13 x 7" Long (x5)	<b>14</b>	Spacer, 1.8 Long (x1)	<b>29</b>	U-Bolt, Square, 1/2-13 x 5 (x2)

## NUTS AND WASHERS



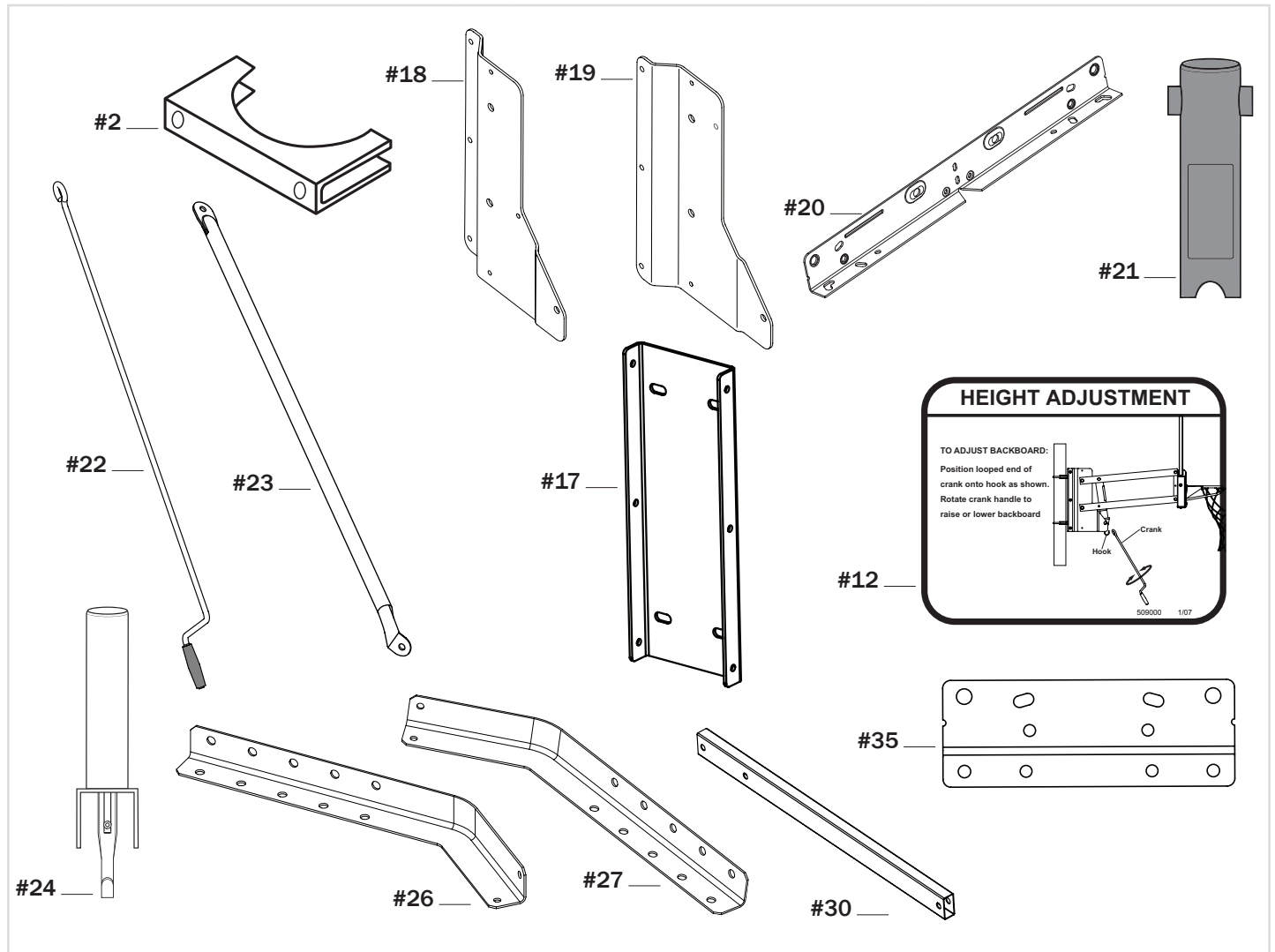
<b>8</b>	Locknut, Hex Head, 1/2-13 (x9)	<b>9</b>	Washer, Flat, 5/16 (x12)	<b>10</b>	Washer, Flat, 1/2 (x10)
<b>11</b>	Locknut, Nylon Insert, 5/16 (x6)	<b>13</b>	Nut, Hex, Locking 1/4-20 (x1)	<b>32</b>	Washer, Flat, Nylon (x4)
<b>33</b>	Locknut, Nylon Insert, 3/8-16 (x4)	<b>34</b>	Washer, 3/8 (x4)		

## SPACERS



<b>4</b>	Spacer, 1.8 Long (x1)	<b>15</b>	Spacer, Plastic, 1" Long (x4)	<b>16</b>	Spacer, Metal, .75 O.D., 4" Long (x3)
<b>25</b>	Spacer, Plastic, .73 O.D., 1.7" Long (x2)	<b>31</b>	Spacer, Metal .35" Long (x2)		

# MOUNTING BRACKET HARDWARE

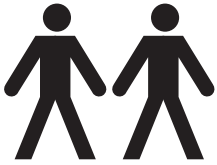


2	Clamp, Saddle (x2)	12	Label, Height-Adjustment (x1)	17	Bracket, Pole (x1)
18	Bracket, Jack Support, RIGHT (x1)	19	Bracket, Jack Support, LEFT (x1)	20	Bracket, Elevator (x2)
21	Sleeve, Plastic, Height-Indicator (x1)	22	Handle Assembly, Crank (x1)	23	Struts, Board Support (x2)
24	Screw Jack Assembly (x1)	26	Bracket, Angle, RIGHT (x1)	27	Bracket, Angle, LEFT (x1)
30	Tube, Elevator (x1)	35	Bracket, Board (x2)		

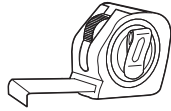
# Tools & Materials for Assembly

## NOTE

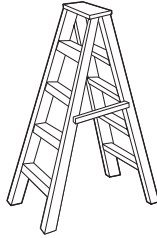
Due to various mounting methods, additional tools and materials may be required.



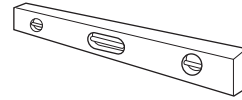
2 Capable Adults



Tape Measure



Step Ladder (8 ft.)



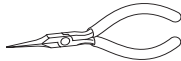
Level



Pencil



Drill and Drill Bit (3/8")



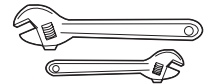
Needle-Nose Pliers



Socket Wrench  
Extension



Wrench  
7/16", 1/2", 9/16", 3/4"



**(OPTIONAL)**  
Adjustable Wrenches

## NOTE

Sections A-D are options for elevator mounting. Select the correct installation method from the available options. After assembling the elevator mount, continue to section E.

# Assemble the Elevator Mount

Required Parts:			
#1 U-Bolt, Round 3/8-16 x 4.68	#2 Clamp, Saddle	#3 Bolt, Hex Head, 5/16-18 x 1-1/4"	#8 Locknut, Hex Head, 1/2-13
#9 Washer, Flat, 5/16	#10 Washer, Flat, 1/2	#11 Locknut, Nylon Insert, 5/16	#17 Bracket, Pole
#18 Bracket, Jack Support, RIGHT	#19 Bracket, Jack Support, LEFT	#23 Struts, Board Support	#26 Bracket, Angle, RIGHT
#27 Bracket, Angle, LEFT	#29 U-Bolt, Square, 1/2-13 x 5	#33 Locknut, Nylon Insert, 3/8-16	#34 Washer, 3/8

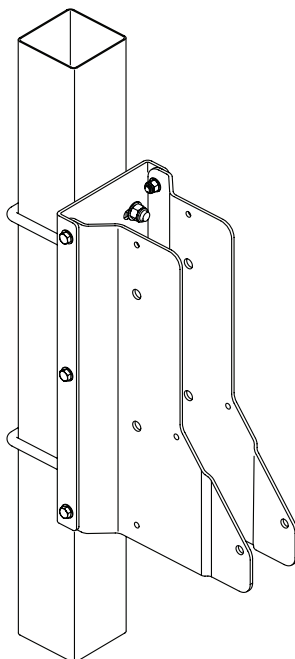
## ⚠ WARNING ⚠

IF YOUR SYSTEM IS EQUIPPED WITH AN ACRYLIC BACKBOARD, EXAMINE THE BACKBOARD FOR ANY DAMAGE THAT MAY HAVE OCCURRED DURING SHIPMENT. CRACKS IN THE BACKBOARD COULD RESULT IN SUDDEN BREAKAGE. IF BACKBOARD IS DAMAGED IN ANY WAY PRIOR TO OR AFTER ASSEMBLY, CALL TOLL-FREE NUMBER: U.S.: 1-800-558-5234; CANADA: 1-800-284-8339; WWW.SPALDING.COM.

## NOTE

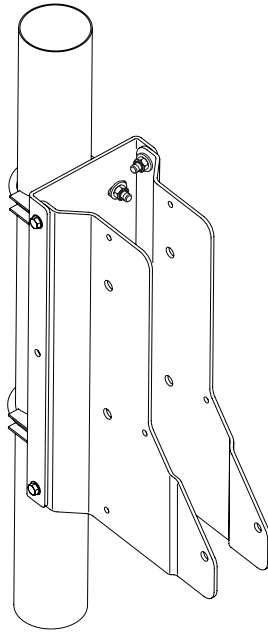
Sections A-D are options for elevator mounting.  
 Poles and mounting locations will vary.  
 Follow instructions that are packaged with elevator mount for specific assembly details.

### A - Completed Elevator Mount to a Square Pole:

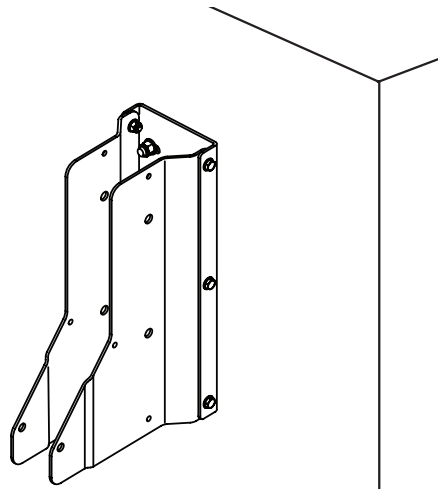




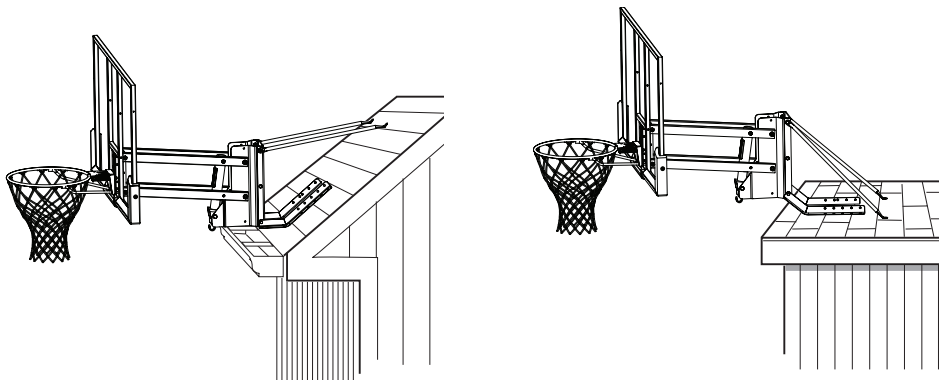
**B - Completed Elevator Mount to a Round Pole:**



**C - Completed Elevator Mount to a Wall or Flat Surface:**

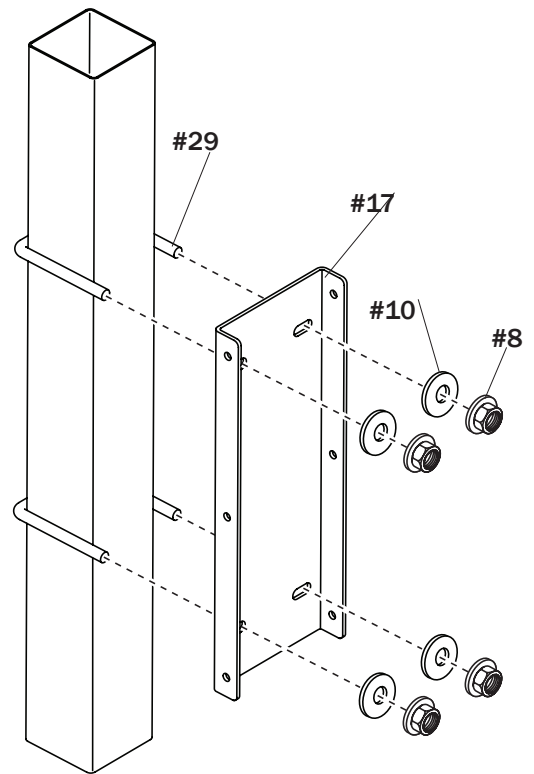


**D - Completed Extension Arm Mounting:**

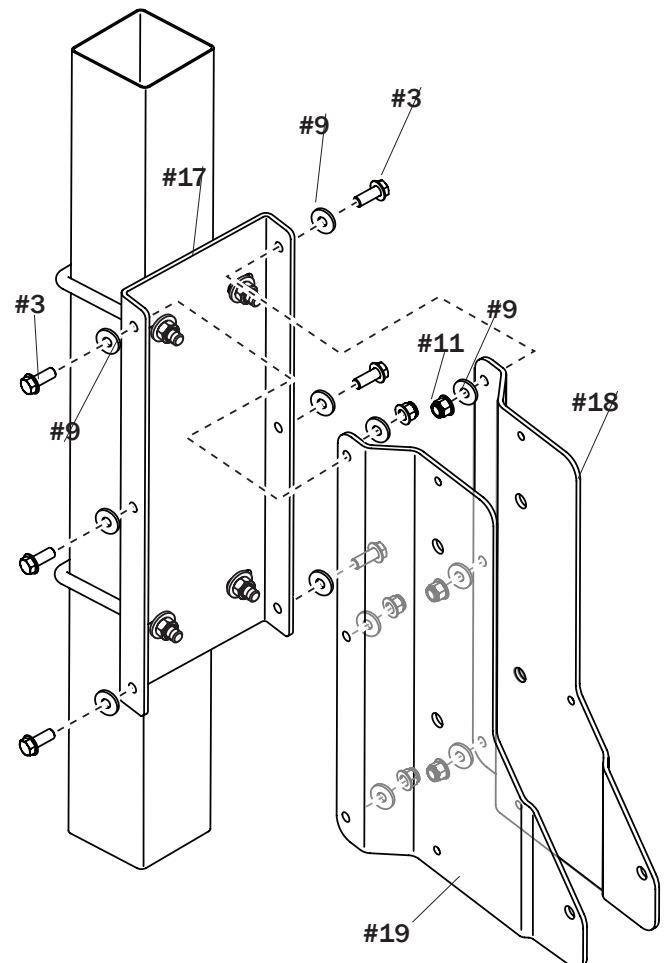


## A ASSEMBLE THE ELEVATOR MOUNT TO A SQUARE POLE

1. At a position near the ground surface, assemble pole bracket (17) to square pole using u-bolts (29), washers (10) and nuts (8).

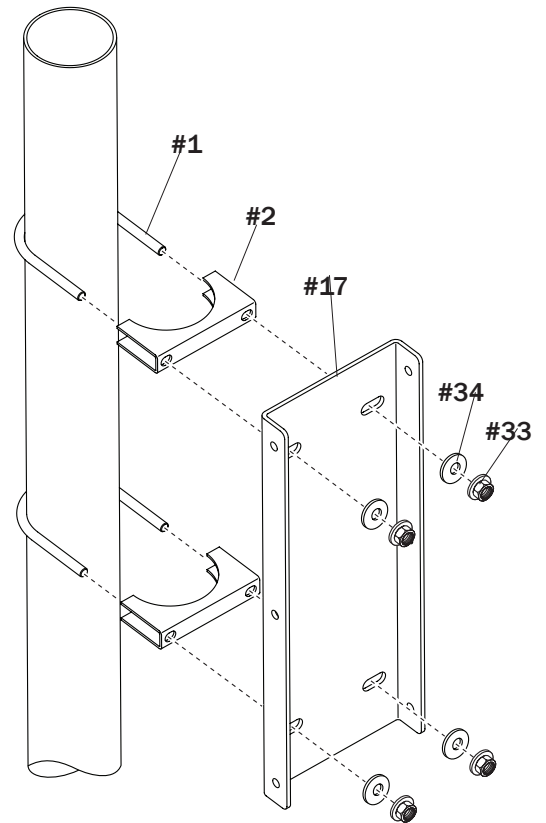


2. Attach jack support brackets (18 & 19) to pole bracket (17) using bolts (3), washers (9) and nuts (11).

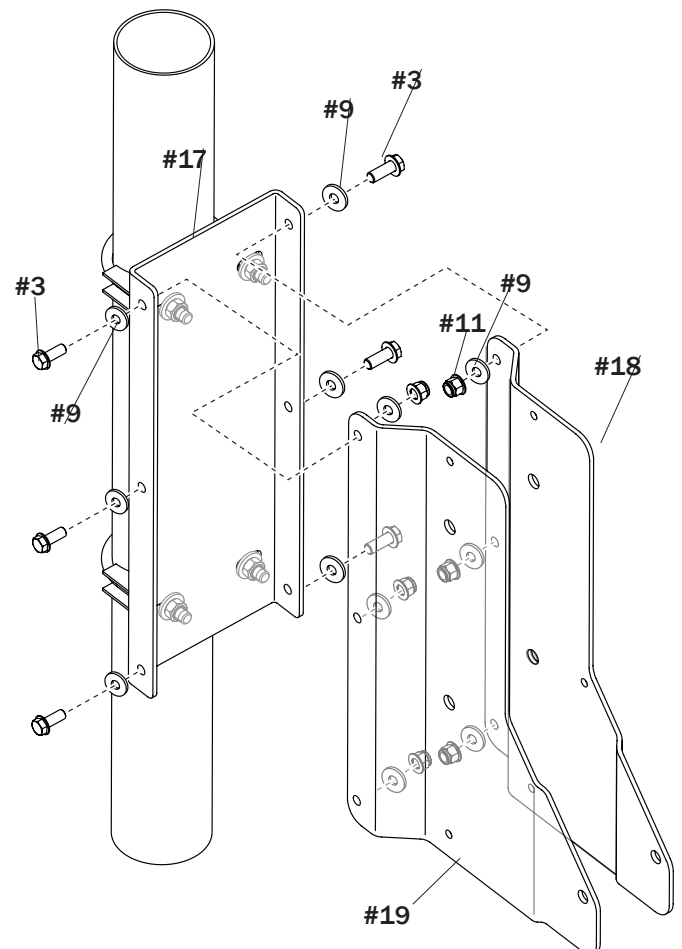


## B ASSEMBLE THE ELEVATOR MOUNT TO A ROUND POLE

1. At a position near the ground surface, assemble pole bracket (17) to round pole using u-bolts (1), clamps (2), washers (34) and nuts (33) as shown.

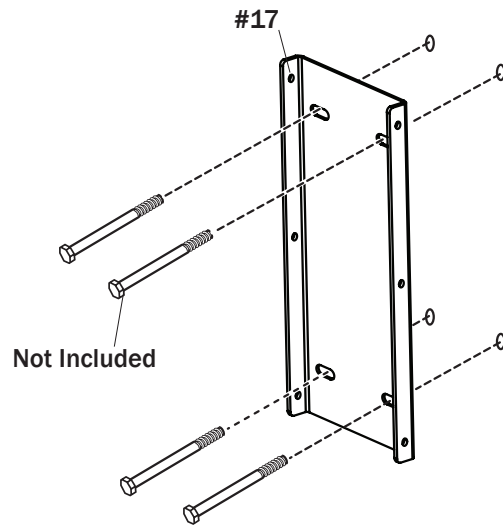


2. Attach jack support brackets (18 & 19) to pole bracket (17) using bolts (3), washers (9) and nuts (11) as shown.

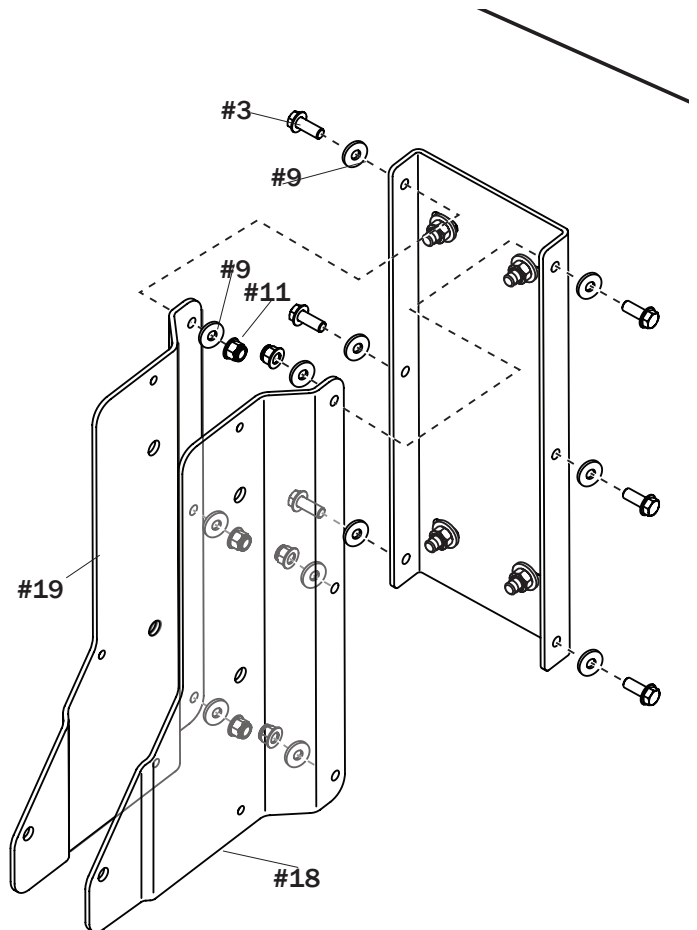


## C ASSEMBLE THE ELEVATOR MOUNT TO A WALL OR FLAT SURFACE

1. Secure pole bracket (17) to flat solid surface. Install bolt heads outside for safety reasons.



2. Attach jack support brackets (18 & 19) to pole bracket (17) using bolts (3), washers (9) and nuts (11) as shown.



### ⚠ WARNING ⚠

A SOLID MOUNTING BASE AND/OR SURFACE, CAPABLE OF WITHSTANDING NORMAL RECREATIONAL USE FORCES, MUST BE PROVIDED BY THE CUSTOMER. A RELIABLE CARPENTER OR BUILDING CONTRACTOR SHOULD BE CONSULTED IF THERE ARE QUESTIONS REGARDING THIS PROCEDURE.

CAREFULLY INSPECT MOUNTING AREA FOR STRUCTURAL INTEGRITY AND HIDDEN ELECTRICAL WIRING.

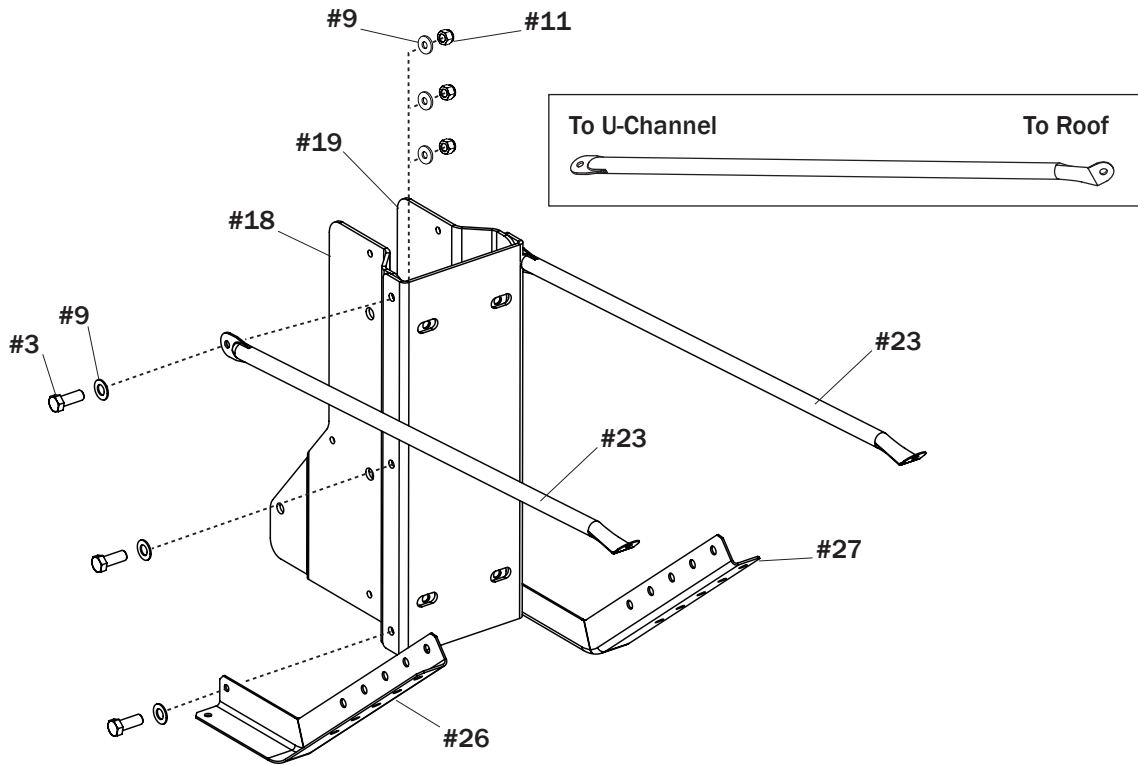
ALL MOUNTING POINTS SHOULD BE SEALED TO PREVENT LEAKS AND WATER DAMAGE.

## NOTE

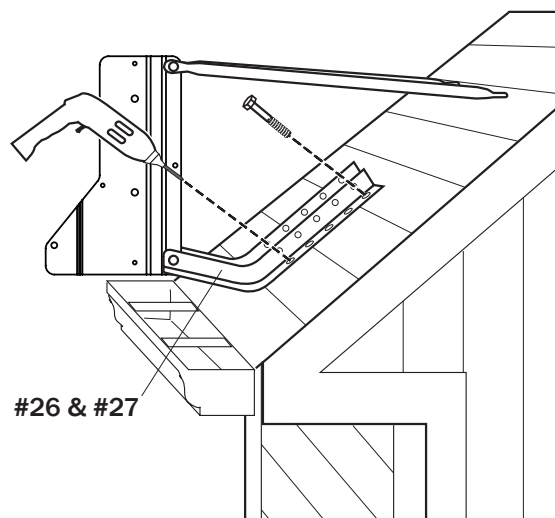
Hardware for these procedures are not included due to various roof and wall construction materials and design structure.

## D INSTALL THE ELEVATOR MOUNT TO A FLAT OR ANGLED ROOF

1. Attach struts (23), angle brackets (26 & 27), and jack support brackets (18 & 19) to pole bracket (17) with bolts (3), washers (9) and nuts (11) as shown.

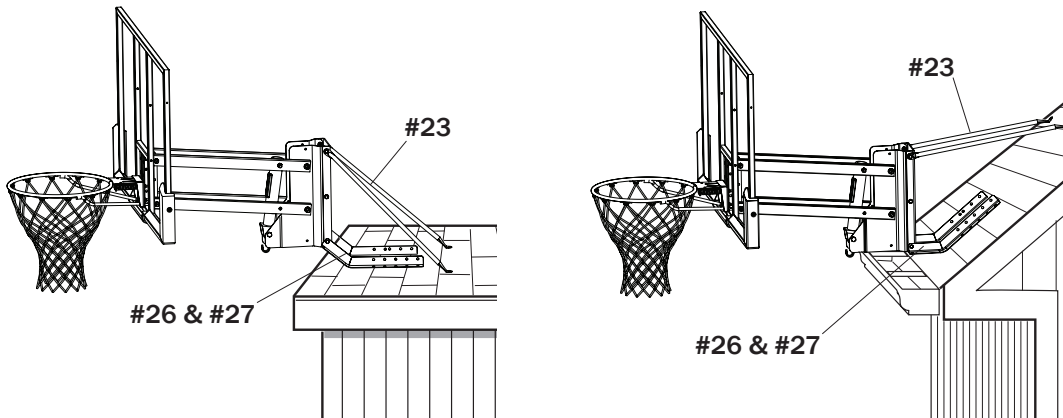


2. Drill holes in roof. Position angled brackets and secure to roof.

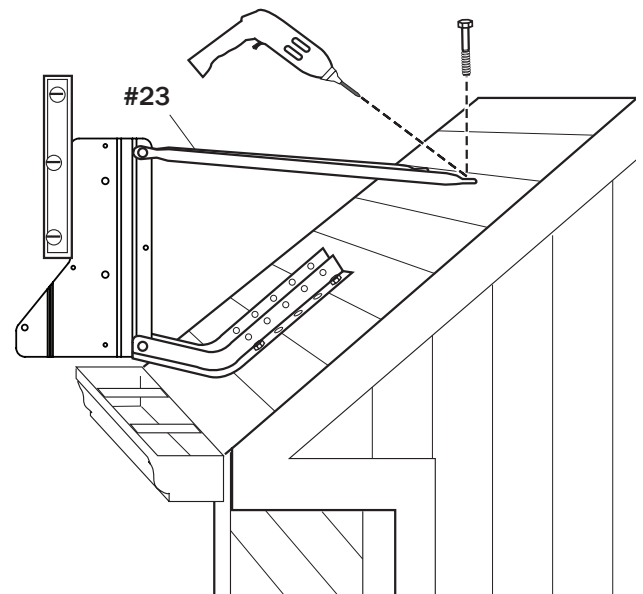


## D INSTALL THE ELEVATOR MOUNT TO A FLAT OR ANGLED ROOF

3. Note position of angle brackets (26 & 27) in relation to pole bracket per style roof.



4. Keep assembly upright and position struts (23) on desired location on roof approx. 26"-30" (66-76 cm) apart. Level in all directions. Mark and drill holes. Secure struts in place..



### ⚠ WARNING ⚠

USE CAUTION; ASSEMBLY IS HEAVY. TWO CAPABLE ADULTS REQUIRED FOR THIS PROCEDURE. FAILURE TO FOLLOW THIS WARNING COULD RESULT IN SERIOUS INJURY AND/OR PROPERTY DAMAGE.

MINIMUM DISTANCE SHOULD BE 106-3/4" (2.71 M) FROM TOP ELEVATOR HOLE TO PLAYING SURFACE. HOMEOWNER MUST ASSUME ALL RESPONSIBILITY FOR ANY PERSONAL OR PROPERTY DAMAGE IF BACKBOARD HEIGHT IS LOWER THAN RECOMMENDED.

### NOTE

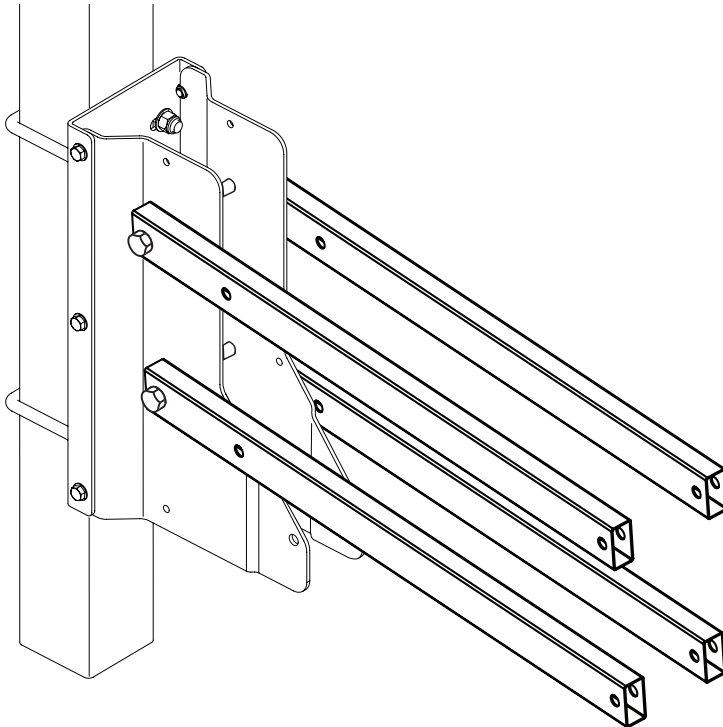
To achieve 106-3/4" (2.7 m) you may have to make some adjustments such as moving angled brackets backward or adding height to the entire assembly with wood between angled brackets and roof.

# Assemble the Elevator Structure/Mechanism

## Required Parts:

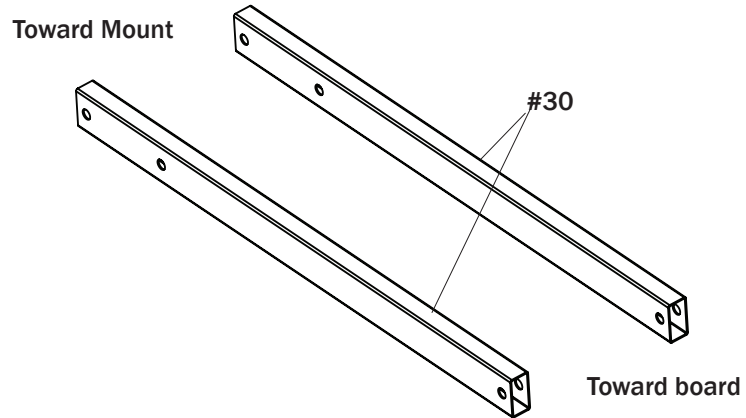
#6 Bolt, Hex Head, 1/2-13 x 7" Long	#7 Label, Warning	#8 Locknut, Hex Head, 1/2-13	#10 Washer, Flat, 1/2
#14 Spacer, 1.8 Long	#21 Sleeve, Plastic, Height-Indicator	#24 Screw Jack Assembly	#28 Label, Height-Indicator
#30 Tube, Elevator	#31 Spacer, Metal .35" Long	#32 Washer, Flat, Nylon	

## Completed Elevator Assembly:

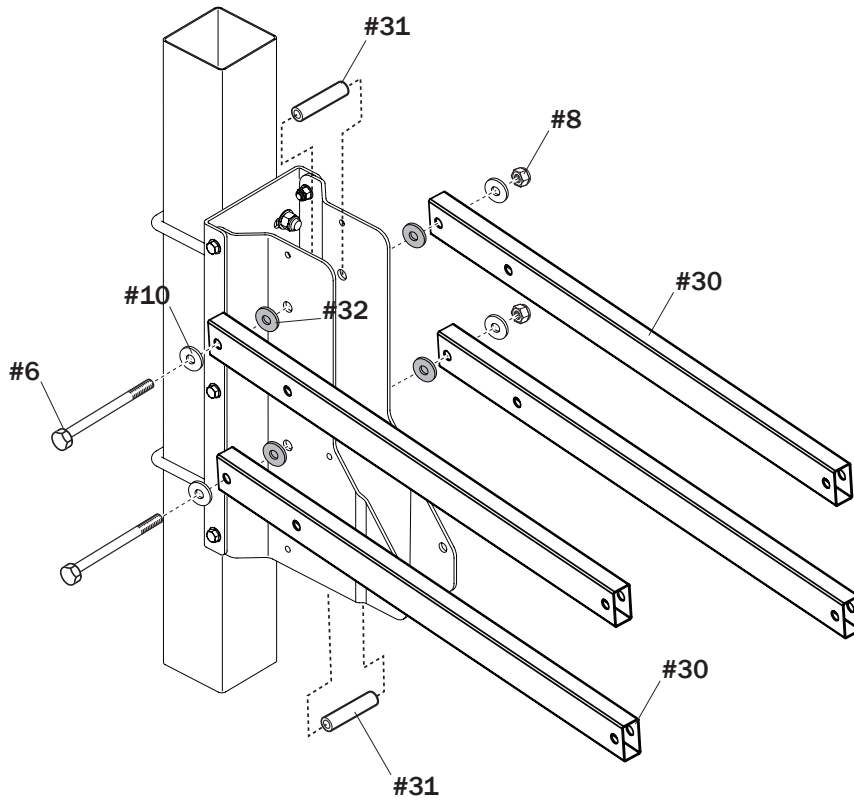


## E ASSEMBLE THE ELEVATOR

1. Identify the elevator tubes (30).



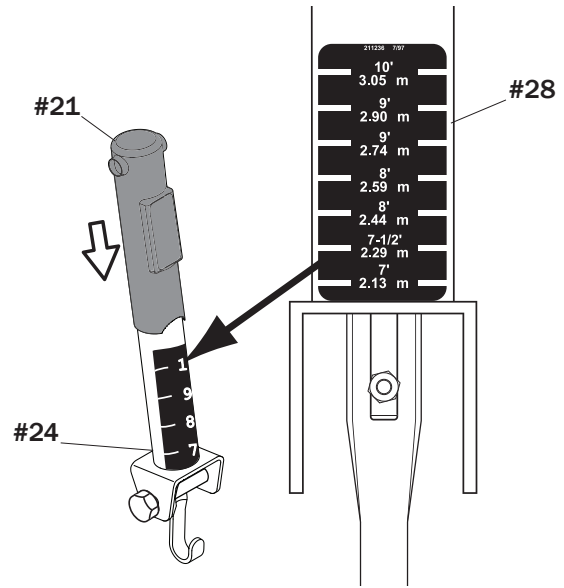
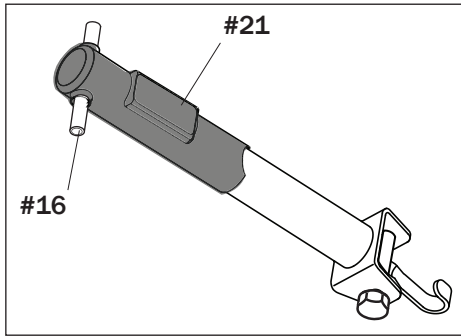
2. Attach elevator tubes (30) to the jack support brackets (18 & 19) using bolts (6), washers (10), spacers (31 & 32) and nuts (8) as shown.



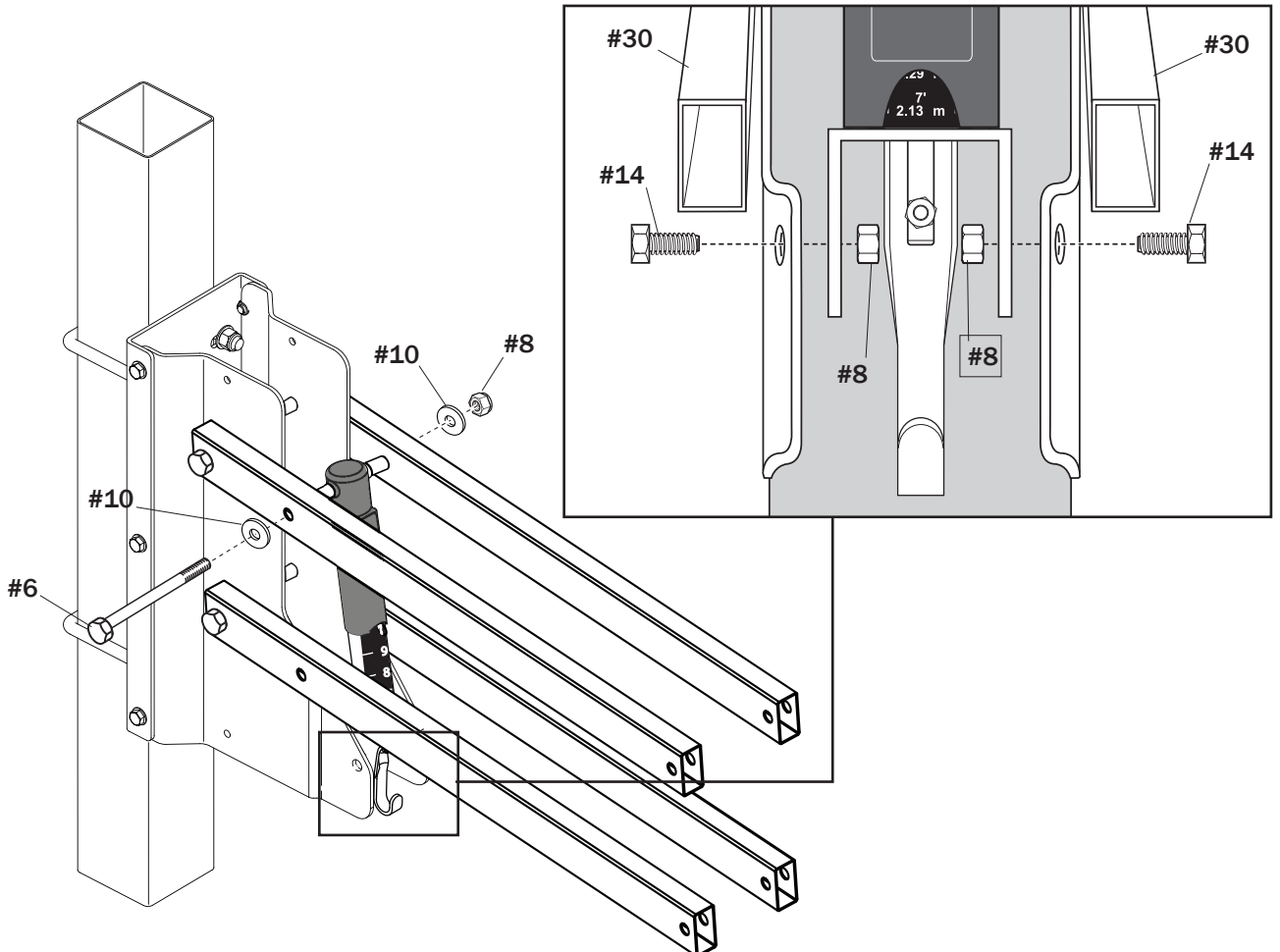


## E ASSEMBLE THE ELEVATOR

3. Attach height decal (28) on screw jack (24). Align lower edge of decal (28) with screw jack bottom.
4. Place cover (21) over screw jack (24).
5. Insert spacer (16) into screw jack assembly (24) as shown.



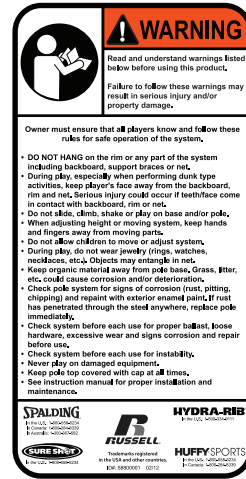
6. Install screw jack assembly (24) using bolts (6 & 14), washer (10) and nut (8) as shown.



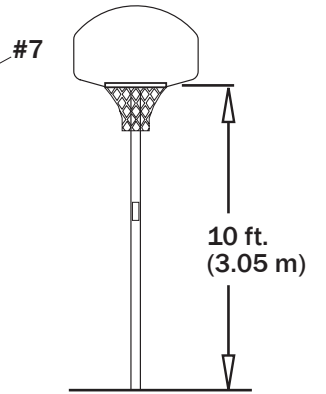
**F**

**ATTACH THE WARNING LABEL**

1. Adhere the warning label (20) in a clearly visible place.



**REGULATION RIM HEIGHT IS 10 FEET (3.05 m).**



# Backboard Mounting

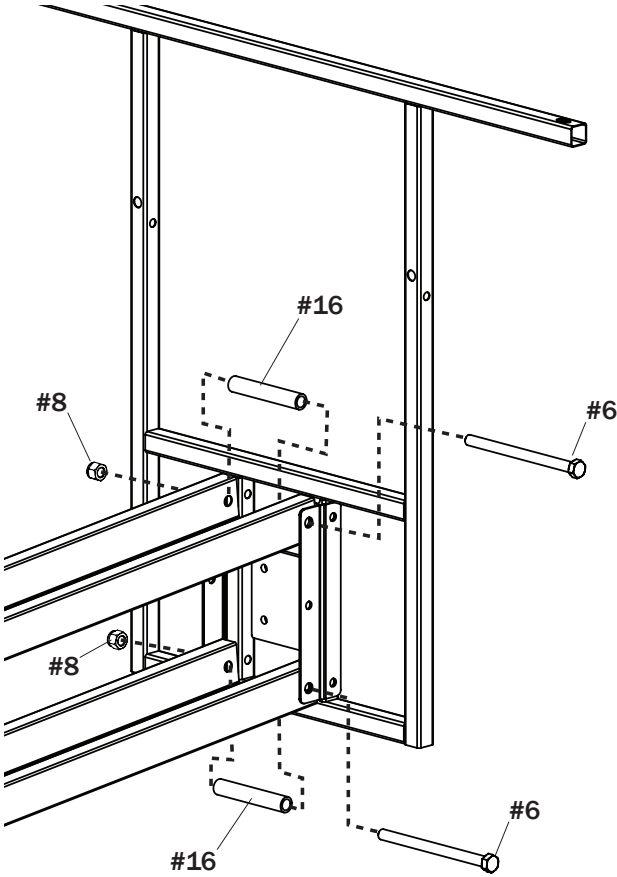
Required Parts:		
#4 Spacer, 1.8 Long	#5 Bolt, Hex Head, 1/4-20 x 2-1/4" Long	#6 Bolt, Hex Head, 1/2-13 x 7" Long
#8 Locknut, Hex Head, 1/2-13	#13 Nut, Hex, Locking 1/4-20	#15 Spacer, Plastic, 1" Long
#16 Spacer, Metal, .75 O.D., 4" Long	#20 Bracket, Elevator	#25 Spacer, Plastic, .73 O.D., 1.7" Long

## NOTE

Section G-I are options for backboard mounting.  
 Backboard and frame style will vary.  
 Follow instructions that are packaged with backboard for specific assembly details.

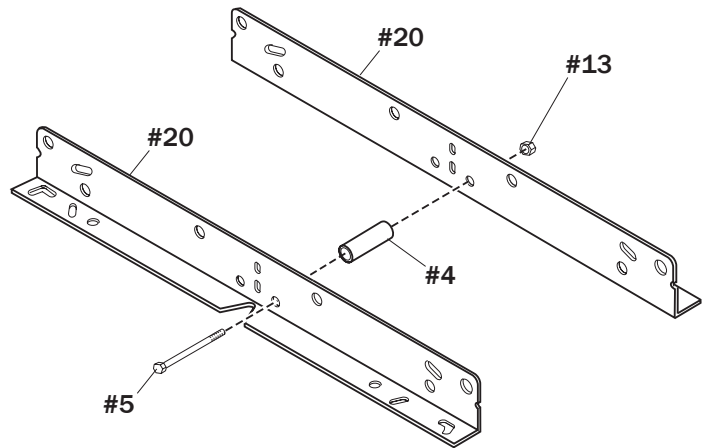
### G ATTACH AN H-FRAME STYLE BACKBOARD

1. Attach backboard using hardware shown.

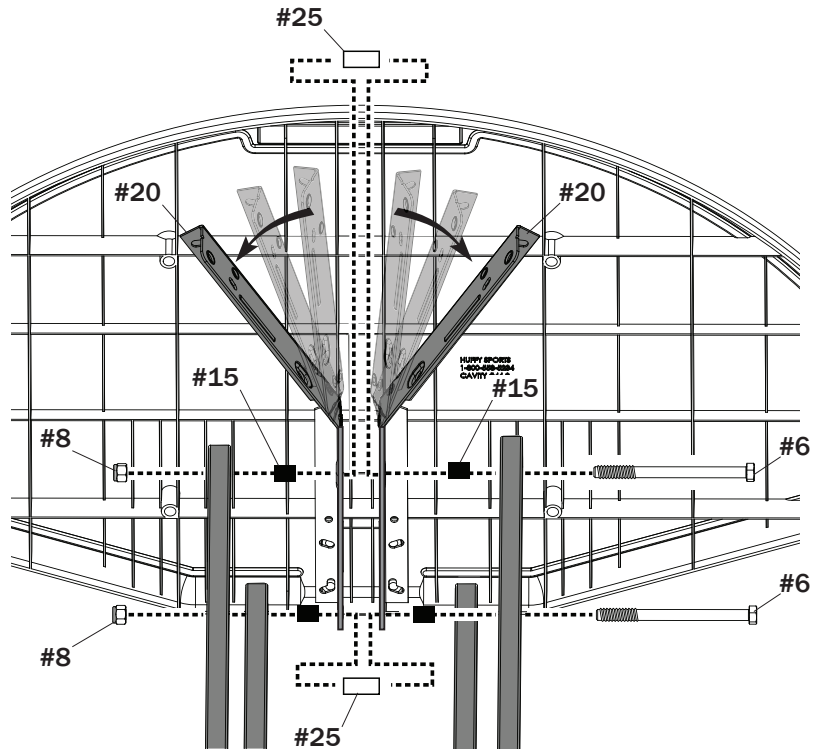


## H ATTACH A COMPOSITE STYLE BACKBOARD

1. Assemble backboard brackets (20) using bolt (5) spacer (4) and nut (13) as shown.

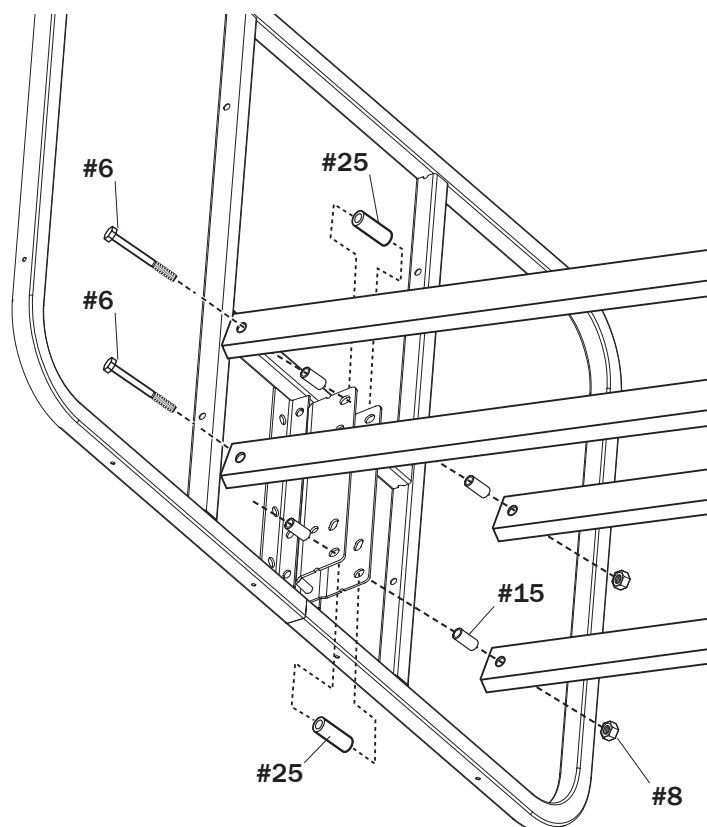


2. Attach backboard using hardware shown.
3. Bend support brackets (20) to line up with upper holes in backboard.



## I ATTACH A STEEL-FRAMED STYLE BACKBOARD

1. Attach backboard using hardware shown.



## Operation

### J ADJUSTING THE HEIGHT

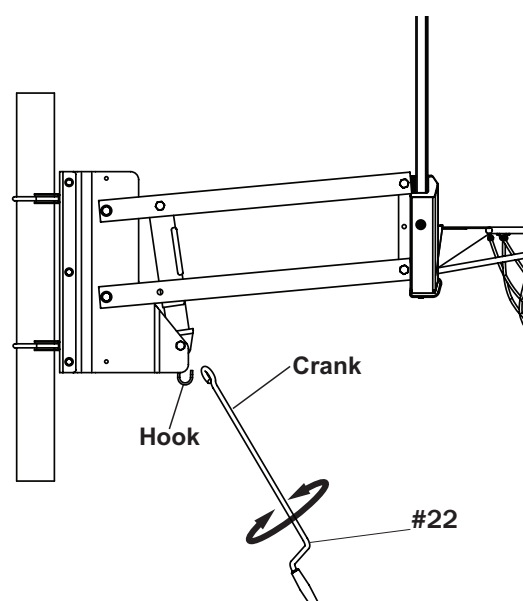


**WARNING**



DO NOT ALLOW CHILDREN TO ADJUST THE HEIGHT.

1. Position the looped end of the crank (22) onto the hook.
2. Rotate the crank handle to raise or lower the backboard.



# Parts List

Item	Qty	Part No.	Description
1	2	205807	U-Bolt, Round 3/8-16 x 4.68
2	2	202675	Clamp, Saddle
3	6	203589	Bolt, Hex Head, 5/16-18 x 1-1/4" Long
4	1	201129	Spacer, 1.8 Long
5	1	240017	Bolt, Hex Head, 1/4-20 x 2-1/4" Long
6	5	205678	Bolt, Hex Head, 1/2-13 x 7" Long
7	1	58800001	Label, Warning
8	9	206340	Locknut, Hex Head, 1/2-13
9	12	203218	Washer, Flat, 5/16
10	10	202651	Washer, Flat, 1/2
11	6	203099	Locknut, Nylon Insert, 5/16
12	1	509000	Label, Height-Adjustment
13	1	240027	Nut, Hex, Locking 1/4-20
14	2	265500	Bolt, Hex Head, 1/2-13 x 1" Long
15	4	202587	Spacer, Plastic, 1" Long
16	3	206269	Spacer, Metal, .75 O.D., 4" Long
17	1	908525	Bracket, Pole
18	1	908528	Bracket, Jack Support, Right

Item	Qty	Part No.	Description
19	1	908529	Bracket, Jack Support, Left
20	2	910846	Bracket, Elevator
21	1	206234	Sleeve, Plastic, Height Indicator
22	1	806259	Handle Assembly, Crank
23	2	916206	Struts, Board Support
24	1	818093	Screw Jack Assembly
25	2	204620	Spacer, Plastic, .73 O.D., 1.7" Long
26	1	916349	Bracket, Angle, RIGHT
27	1	916350	Bracket, Angle, LEFT
28	1	211236	Label, Height-Indicator
29	2	220150	U-Bolt, Square, 1/2-13 x 5
30	4	901883	Tube, Elevator
31	2	201656	Spacer, Metal .3.5" Long
32	4	265533	Washer, Flat, Nylon
33	4	205593	Locknut, Nylon Insert, 3/8-16
34	4	203232	Washer, 3/8
35	2	90096401	Bracket, Board




## SAFETY LABELS



**NOTICE**



**APPLY THE SAFETY LABELS TO THE COMPLETED ASSEMBLY PRIOR TO USE.**



### WARNING

Read and understand warnings listed below before using this product.

Failure to follow these warnings may result in serious injury and/or property damage.

**Owner must ensure that all players know and follow these rules for safe operation of the system.**

- **DO NOT HANG** on the rim or any part of the system including backboard, support braces or net.
- During play, especially when performing dunk type activities, keep player's face away from the backboard, rim and net. Serious injury could occur if teeth/face come in contact with backboard, rim or net.
- During play, do not wear jewelry (rings, watches, necklaces, etc.). Objects may entangle in net.
- Check system before each use for loose hardware, excessive wear and signs corrosion and repair before use.
- Never play on damaged equipment.
- See instruction manual for proper installation and maintenance.

**SPALDING**  
In the U.S.: 1-800-558-5234  
In Canada: 1-800-284-8339  
In Australia: 1-300-367-582

**RUSSELL**  
Trademarks registered in the USA and other countries.  
ID#: 57980001 01/12

**HYDRA-RIB**  
In the U.S.: 1-800-334-9111

**SURE SHOT**  
In the U.S.: 1-800-558-5234

**HUFFY SPORTS**  
In the U.S.: 1-800-558-5234  
In Canada: 1-800-284-8339

**WARNING LABELS AND INSTRUCTIONS  
MUST ACCOMPANY THIS PRODUCT.  
CALL TOLL-FREE FOR REPLACEMENT:  
1300 367 582 (AUSTRALIA)  
[www.spalding.com.au](http://www.spalding.com.au)**



**WARNING:  
SWINGING ON THE RING  
MAY CAUSE SERIOUS  
INJURY OR DEATH**



**CAUTION:  
THIS BACKBOARD AND RIM IS NOT DESIGNED  
TO SUPPORT A PLAYER HANGING FROM THE  
RIM OR NET. FAILURE TO OBSERVE THIS  
CAUTION MAY CAUSE BODILY INJURY AND /  
OR PROPERTY DAMAGE**

**WARNING LABELS AND INSTRUCTIONS MUST ACCOMPANY  
THIS PRODUCT. CALL TOLL-FREE FOR REPLACEMENT:  
LES ÉTIQUETTES D'AVERTISSEMENT ET LES INSTRUCTIONS  
DOIVENT ACCOMPAGNER CE PRODUIT. POUR UN REMPLACEMENT,  
APPELEZ LE NUMÉRO SANS FRAIS :  
1.800.558.5234 | [www.huffysports.com](http://www.huffysports.com)  
[www.spalding.com](http://www.spalding.com)**