

Model Number:  
(found on product box)

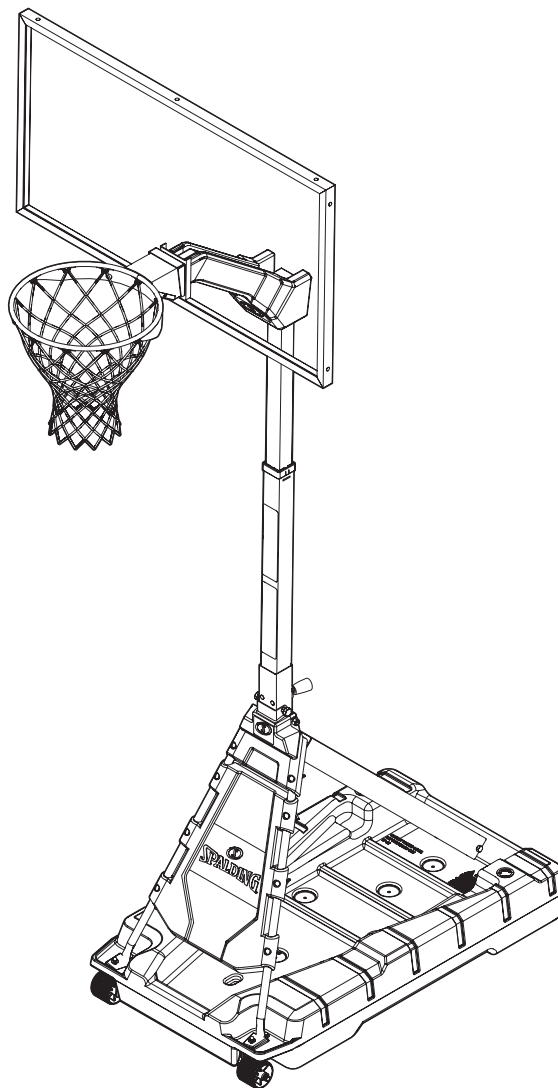


## MOMENTOUS EZ ASSEMBLY

### Fold Down Your Hoop

#### NOTE

The Momentous may be folded down for protection of hoop during windy conditions or for the benefit of more compact storage.



# Contents

Tools for Folding Down .....2  
Disassemble the Handle Assembly .....3  
Disassemble the Front Cover.....4  
Disassemble the Upright .....5

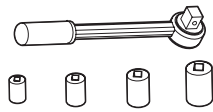
## Tools for Folding Down



2 Capable  
Adults



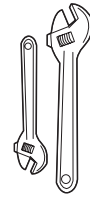
Safety  
Glasses



Socket Wrench  
3/4"



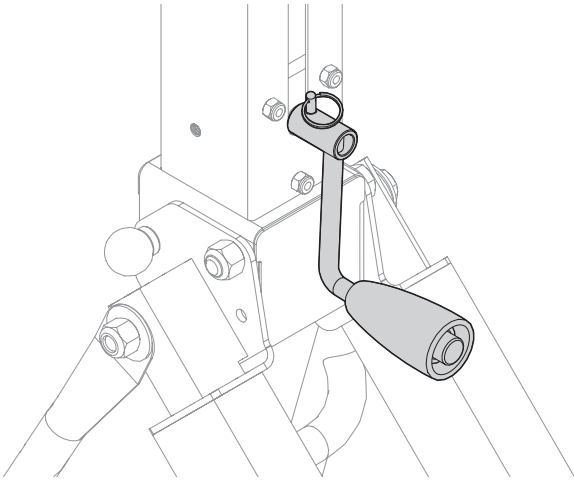
Wrench  
3/4"



**(OPTIONAL)**  
Adjustable  
Wrenches

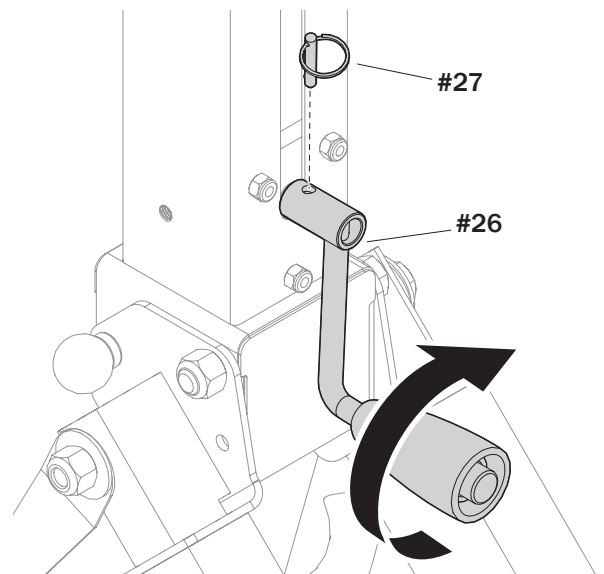
# Disassemble the Handle Assembly

Completed Handle Assembly:

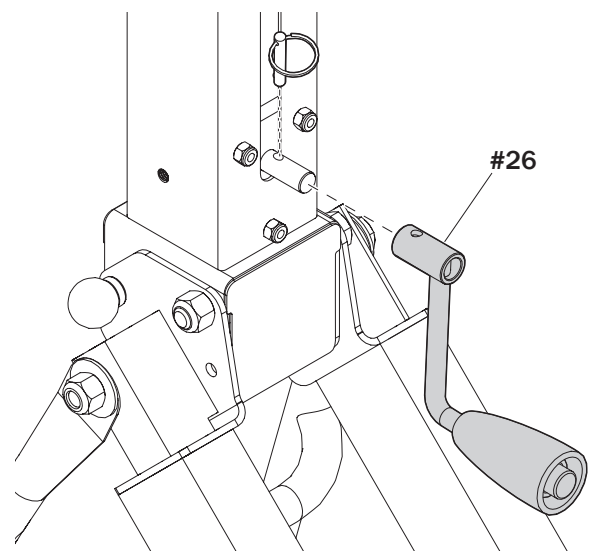


## A ADJUST THE HEIGHT AND REMOVE CRANK HANDLE

1. Crank the handle (26) and adjust to the lowest rim height.
2. Remove the pull pin (27).

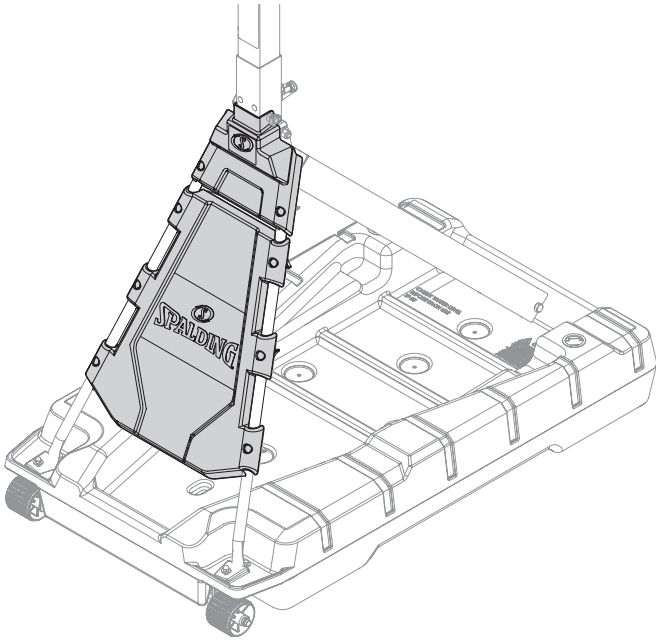


3. Remove the crank handle assembly (26).



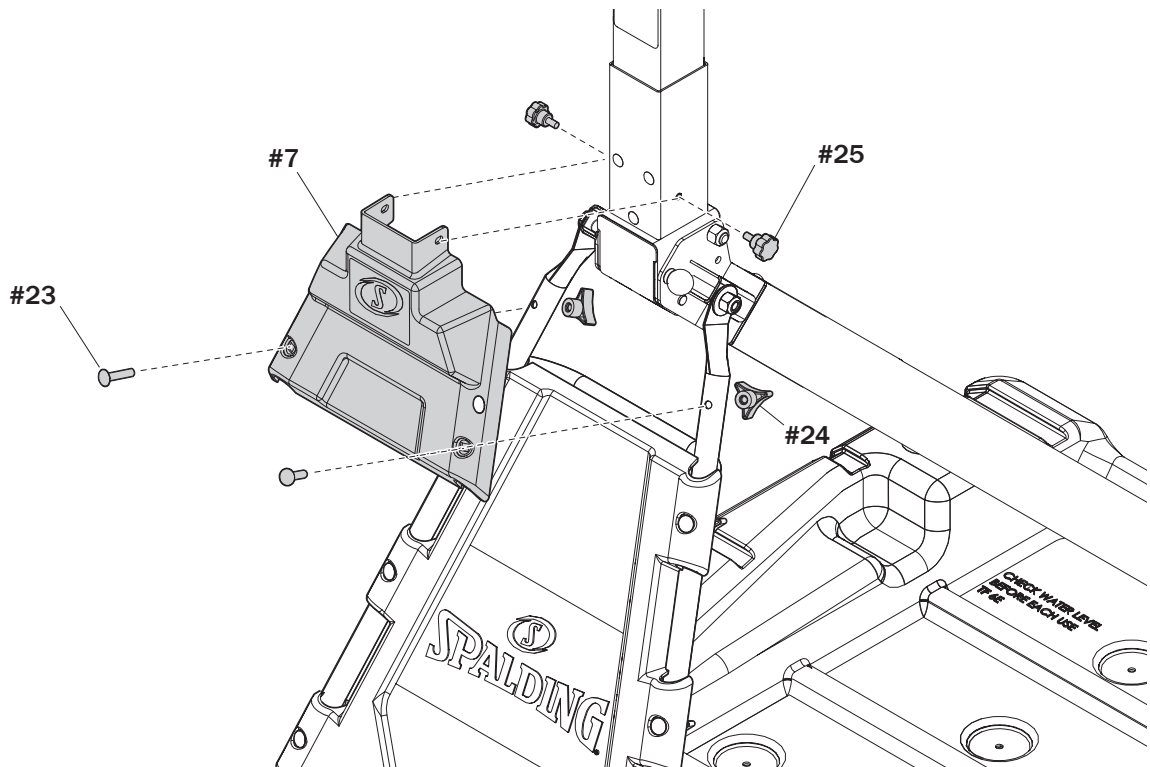
# Disassemble the Front Cover

Completed Front Cover Assembly:



## B DISASSEMBLE THE FRONT COVER

1. Remove the carriage bolts (23), tri-knobs (24), and thumbscrews (25).
2. Remove the knuckle shroud (7).

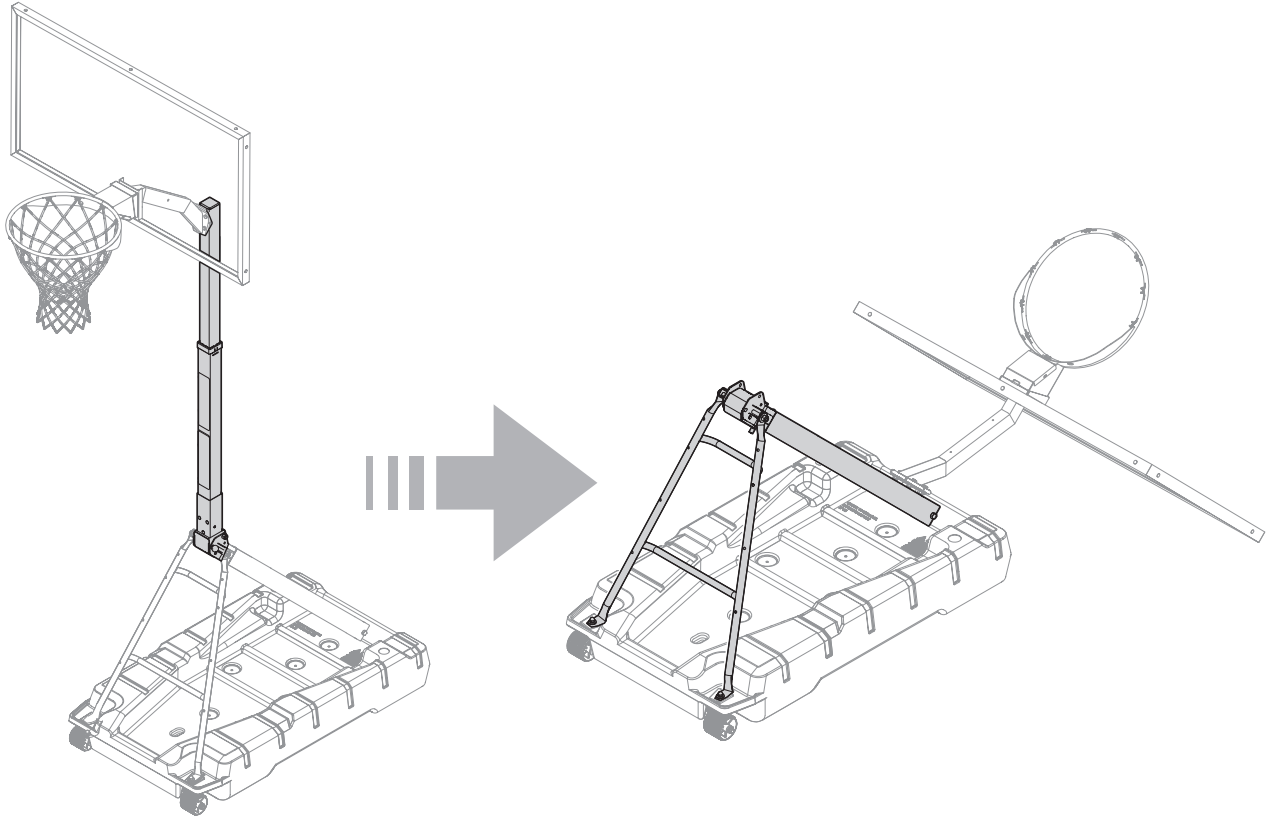


# Disassemble the Upright

## Required Parts:

- **WRENCHES AND/OR SOCKET WRENCHES (3/4")**

## Completed Upright Assembly:

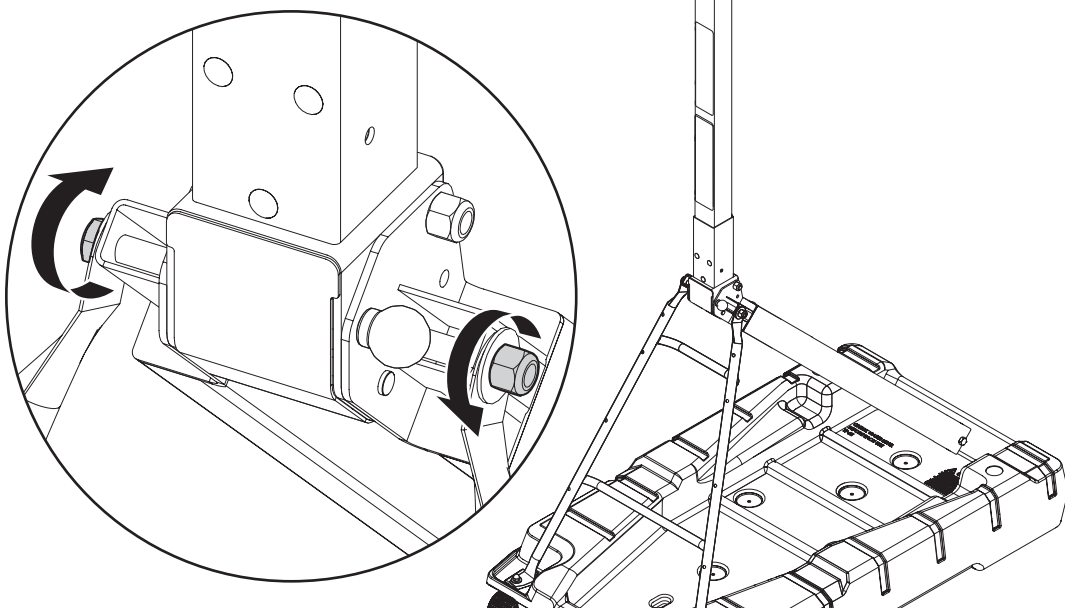


## **WARNING**

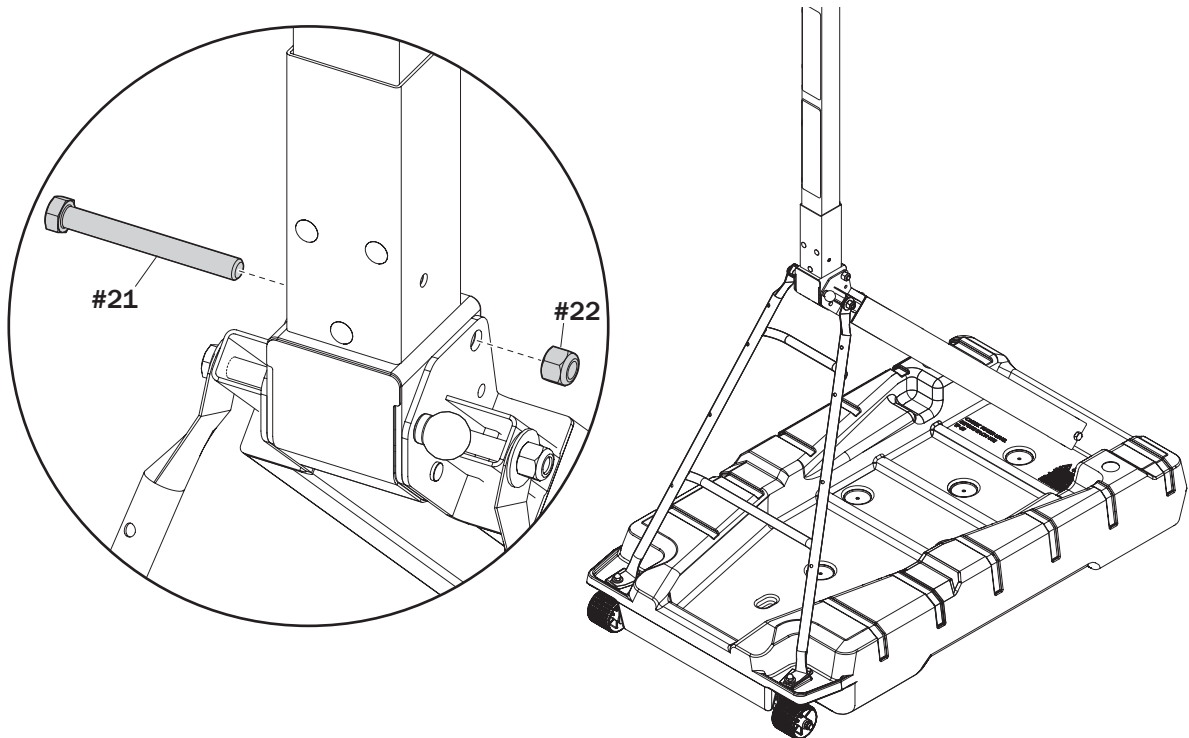
**IMPACT HAZARD:** Use extreme caution when performing upright disassembly procedures. Ensure that upright remains supported until the backboard is slowly lowered and resting on the ground. Failure to support upright could cause unit to suddenly fold over and result in serious injury and/or property damage.

## C DISASSEMBLE THE POLE STRUTS

1. Loosen the bolt and nut on the outside of the struts.



2. Remove the hex bolt (21) and nut (22).

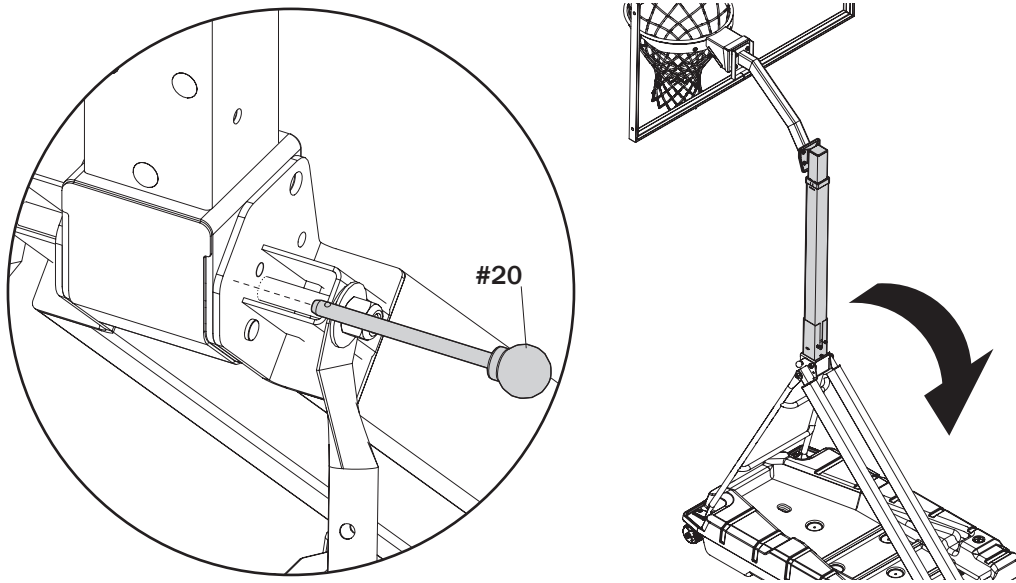


## C DISASSEMBLE THE POLE STRUTS

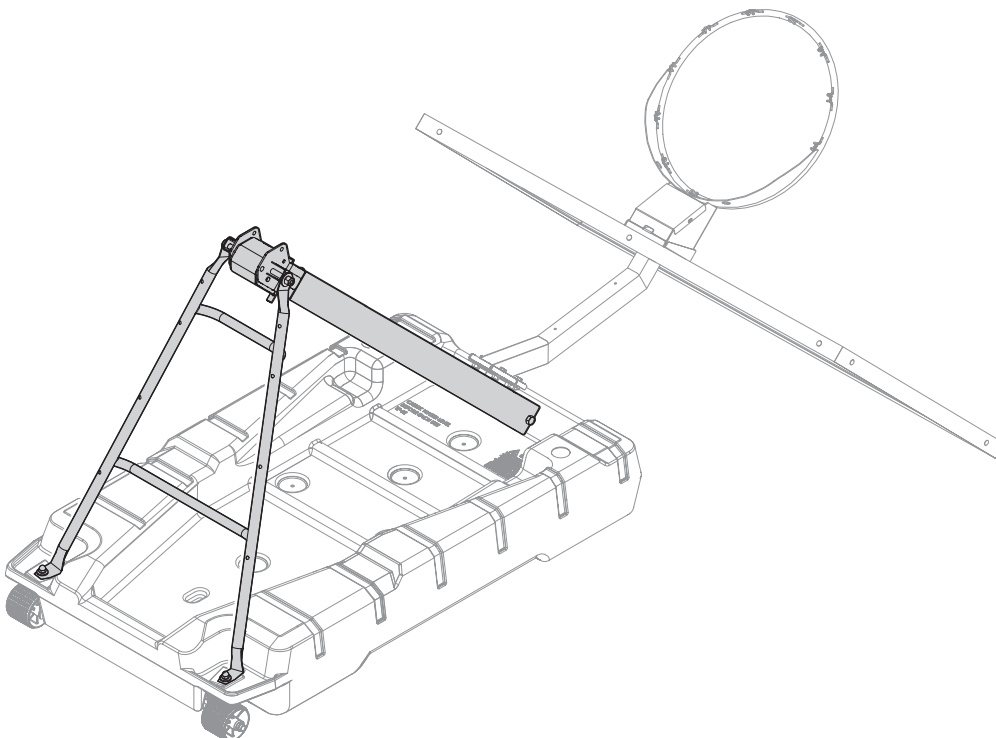
3. Remove the pull pin (20).

### ⚠ WARNING ⚠

IMPACT HAZARD. Ensure that upright remains supported with one hand while pin is removed to prevent unit from folding over. Once pin is removed, slowly rotate the unit backward until backboard is resting on the ground.



4. Carefully rotate the pole into the down position.



### NOTE

The top edge of the backboard should rest on the ground once folded down.

